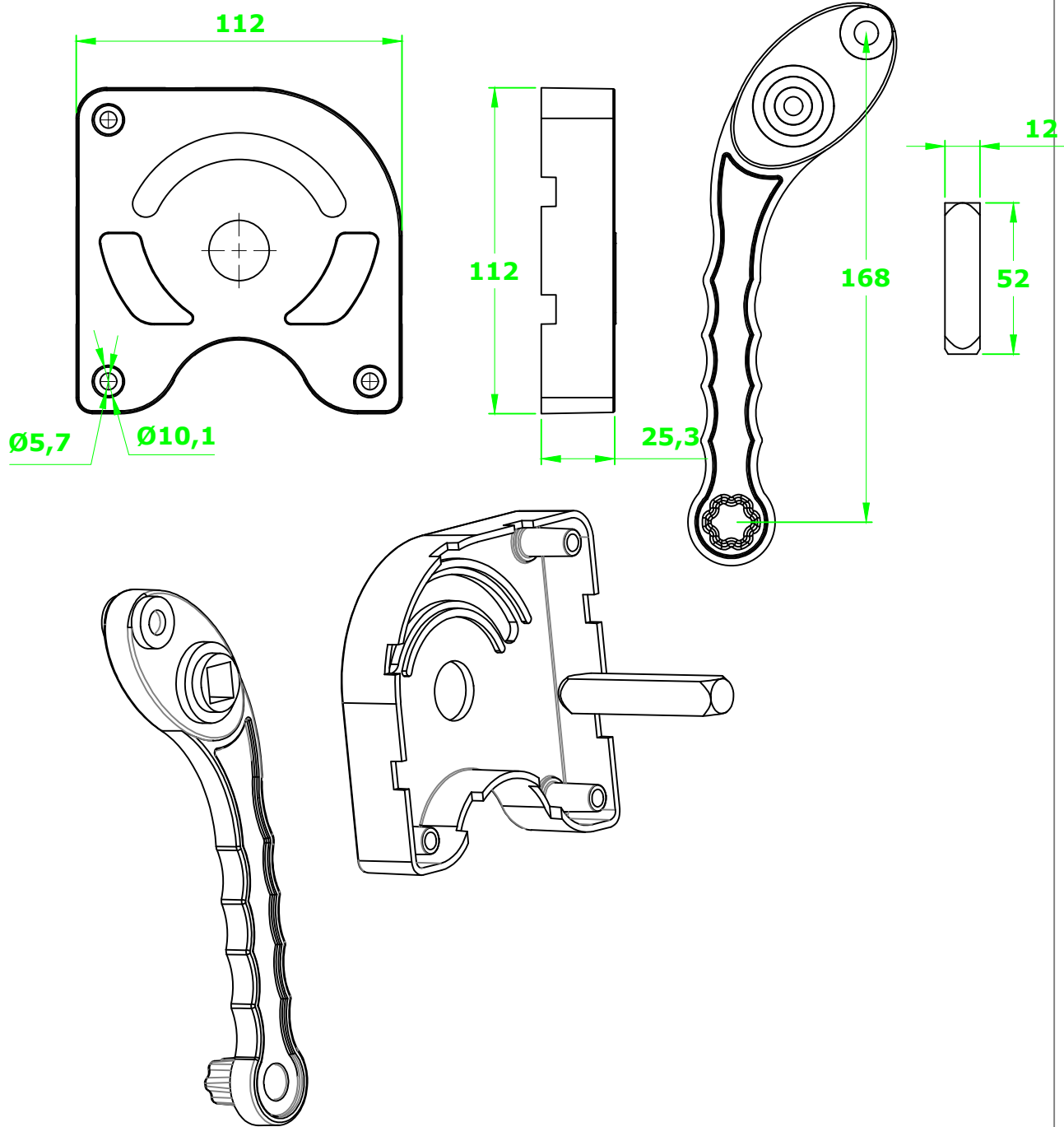


Date	Number	Form Cod



REV	DESCRIPTION					DATE	APVD
DOCUMENTS:	Designed by	Checked by	Approved by	Edition	Date	ATLAS TEK	
	Keshavarz	Nafisi	Keshavarz	1	98/02/01		
	ACCESSORY DAMPER.HANDLE.			material	dimension	Scale	STD: ISO
			PolyAmide	MM	1:2		
Qty:	Weight:	Tol:	DRAWING_NUMBER:				
1	128 gr	±0.05	AH.DAMPER.HANDLE.				