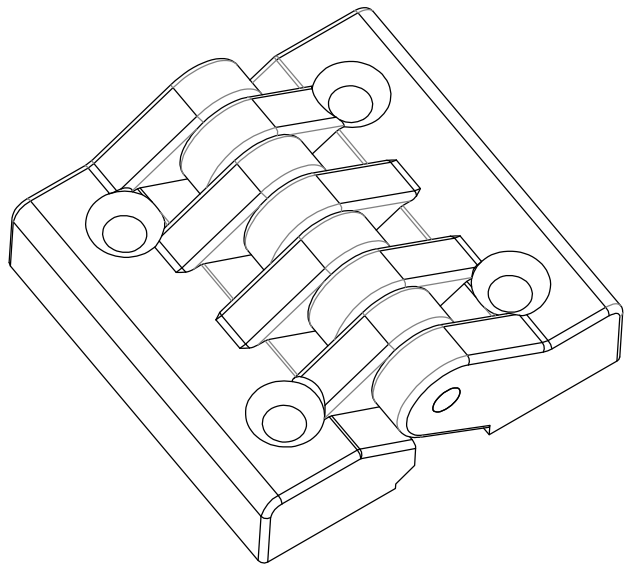
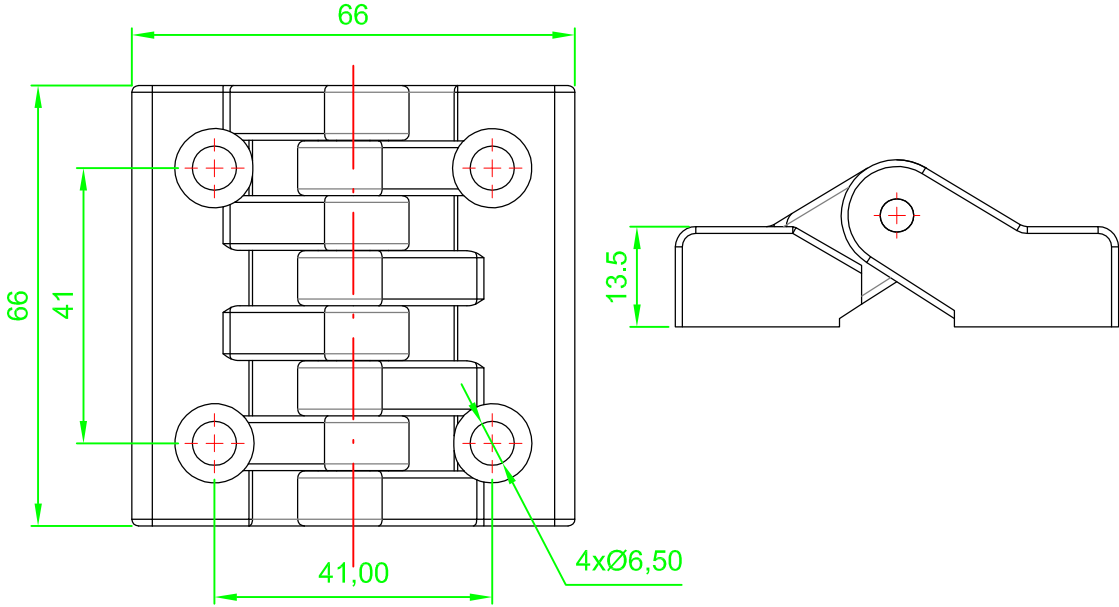


Date	Number	Form Cod



REV	DESCRIPTION					DATE	APVD
DOCUMENTS:			Designed by	Checked by	Approved by	Edition	Date
			Keshavarz	Nafisi	Keshavarz	1	95/08/01
			ACCESSORY		material	dimension	Scale
			LOLA.JENAGHI.B.		PolyAmide	MM	1:1
Qty:	Weight:	Tol:	DRAWING_NUMBER:				
1	65 gr	±0.05	AH.LOLA.JENAGHI.B.				

**ATLAS
TEK**

⚙️ STD: ISO