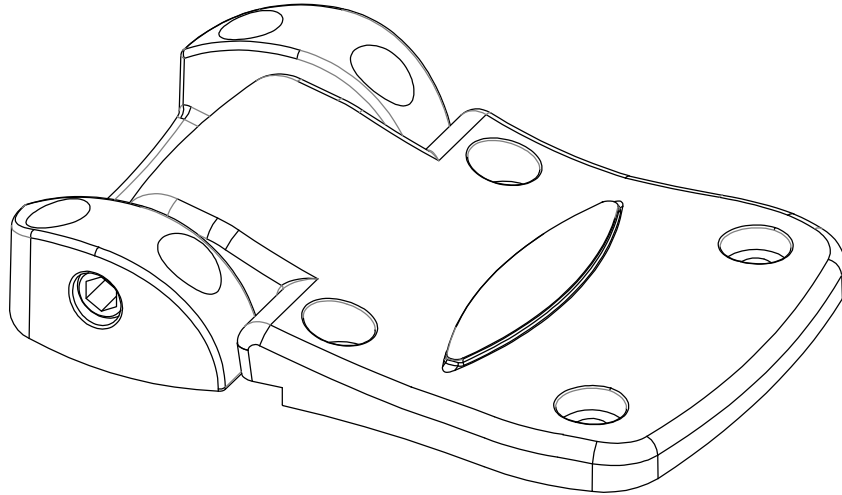
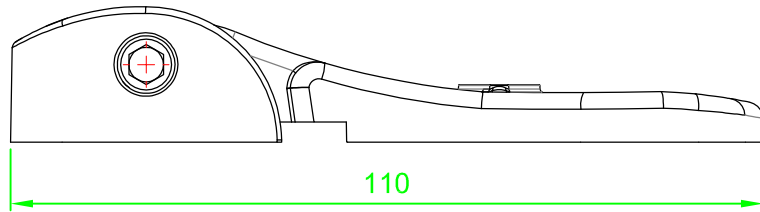
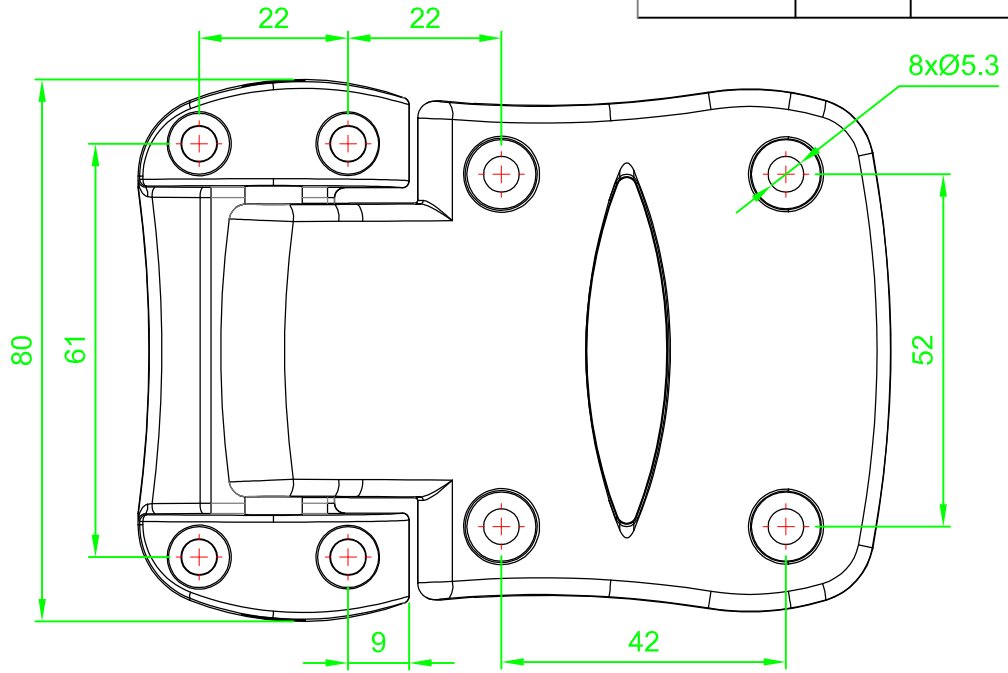


Date	Number	Form Cod



REV	DESCRIPTION					DATE	APVD		
DOCUMENTS:			Designed by	Checked by	Approved by	Edition	Date	ATLAS TEK	
			Keshavarz	Nafisi	Keshavarz	1	95/08/01		
			ACCESSORY LOLA.ALUMINIUM.		material	dimension	Scale		
Qty:	Weight:	Tol:	DRAWING_NUMBER:			Alu-Die	MM	1:1	STD: ISO
1	160gr	±0.05	AH.LOLA.ALUMINIUM.						