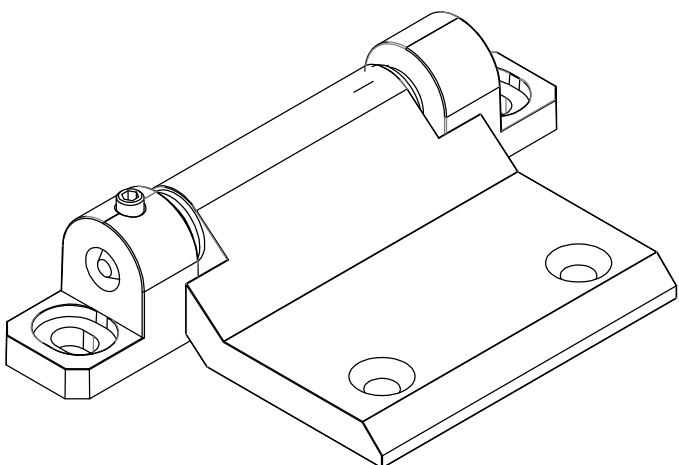
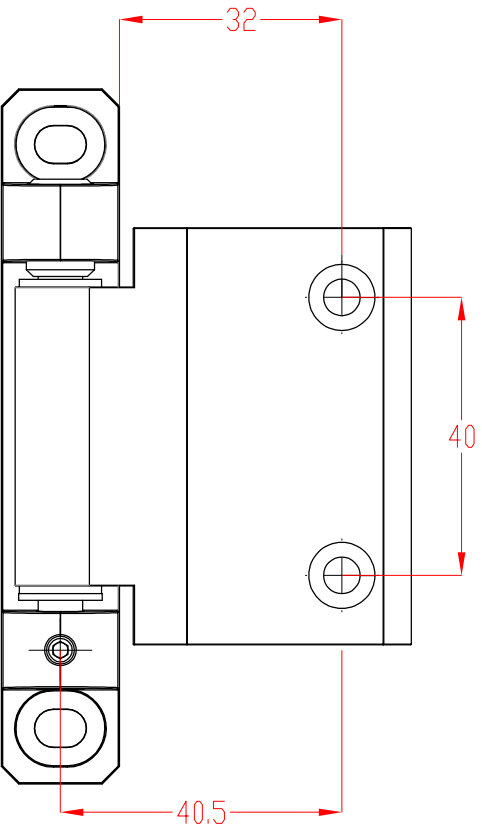
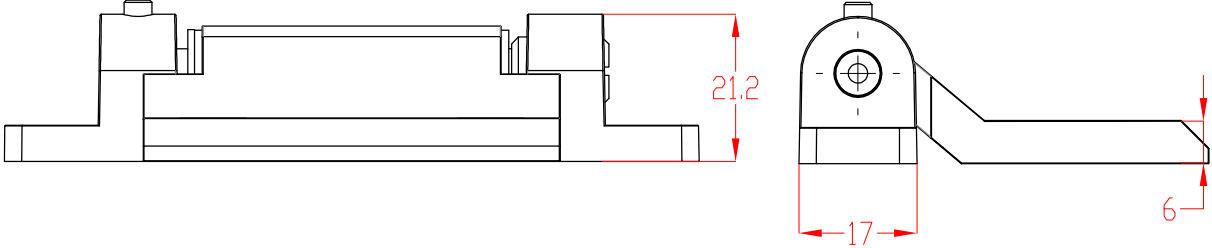


Date	Number	Form Cod



REV	DESCRIPTION					DATE	APVD
DOCUMENTS:	Designed by	Checked by	Approved by	Edition	Date	ATLAS TEK	
	Keshavarz	Nafisi	Keshavarz	1	95/08/01		
	ACCESSORY HINGE.3019.			material	dimension		Scale
Qty:	Weight:	Tol:	DRAWING_NUMBER:			STD: ISO	
1	200 gr	±0.05	AH.HINGE.3019.				