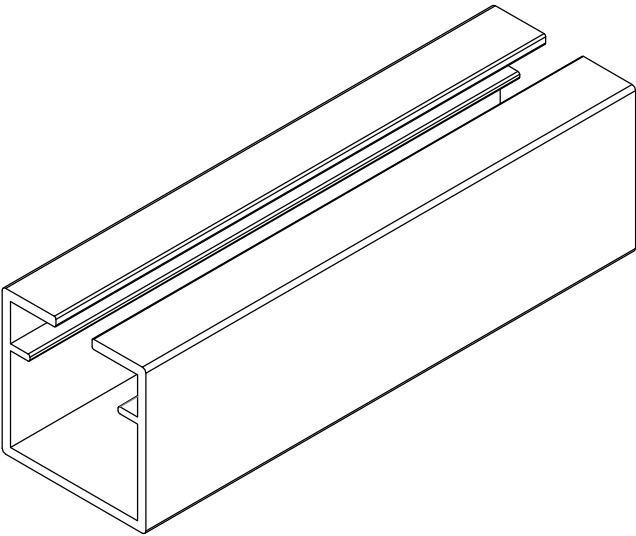
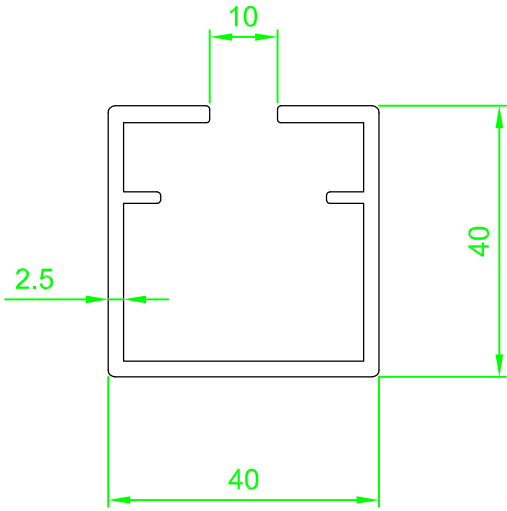



| | | |
|------|--------|----------|
| Date | Number | Form Cod |
| | | |



| | | | | | | | | |
|------------|-------------|-------|----------------------------------|------------|-------------|-----------|----------|--|
| REV | DESCRIPTION | | | | | DATE | APVD | |
| DOCUMENTS: | | | Designed by | Checked by | Approved by | Edition | Date | ATLAS TEK  STD: ISO |
| | | | Keshavarz | Nafisi | Keshavarz | 1 | 95/08/01 | |
| | | | PROFILE RAIL.FRAME.S. | | material | dimension | Scale | |
| Qty: | Weight: | Tol: | DRAWING_NUMBER: | | | AL 6063 | MM | 1:1 |
| 1 | 0.87Kg/m | ±0.05 | PH.RAIL.FRAME.S. | | | | | |