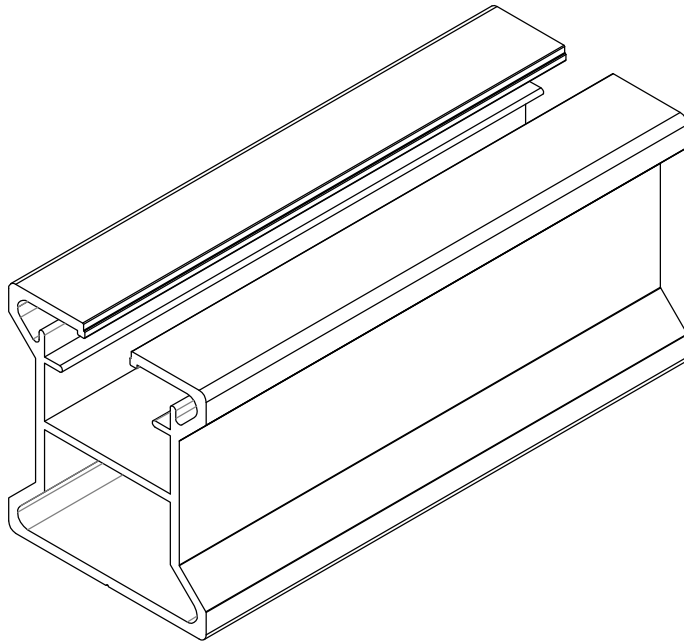
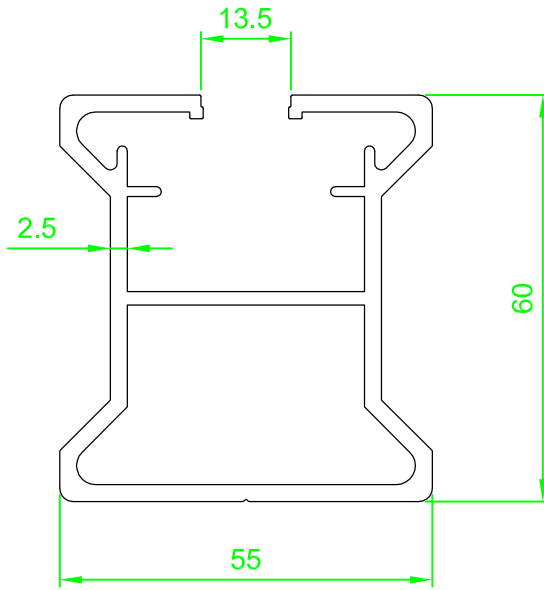



Date	Number	Form Cod



REV	DESCRIPTION					DATE	APVD
DOCUMENTS:	Designed by	Checked by	Approved by	Edition	Date	<b>ATLAS TEK</b>  STD: ISO	
	Keshavarz	Nafisi	Keshavarz	1	95/08/01		
	<b>PROFILE RAIL.FRAME.M.</b>			material	dimension		
Qty:	Weight:	Tol:	DRAWING_NUMBER:				
1	1.75Kg/m	±0.05	PH.RAIL.FRAME.M.		AL 6063	MM	1:1