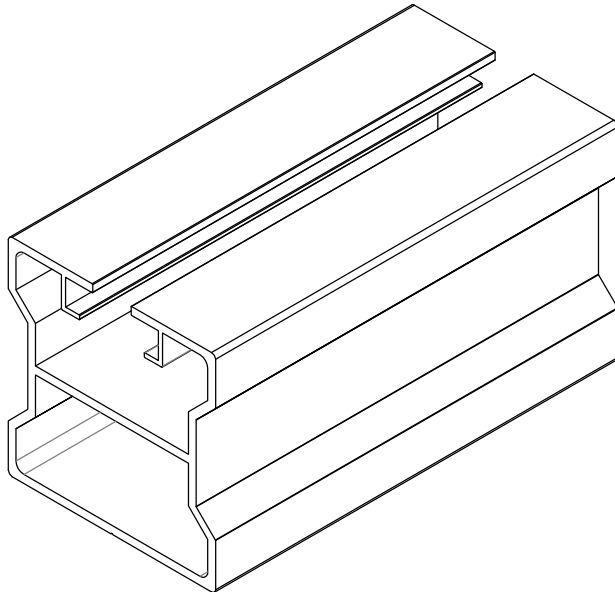
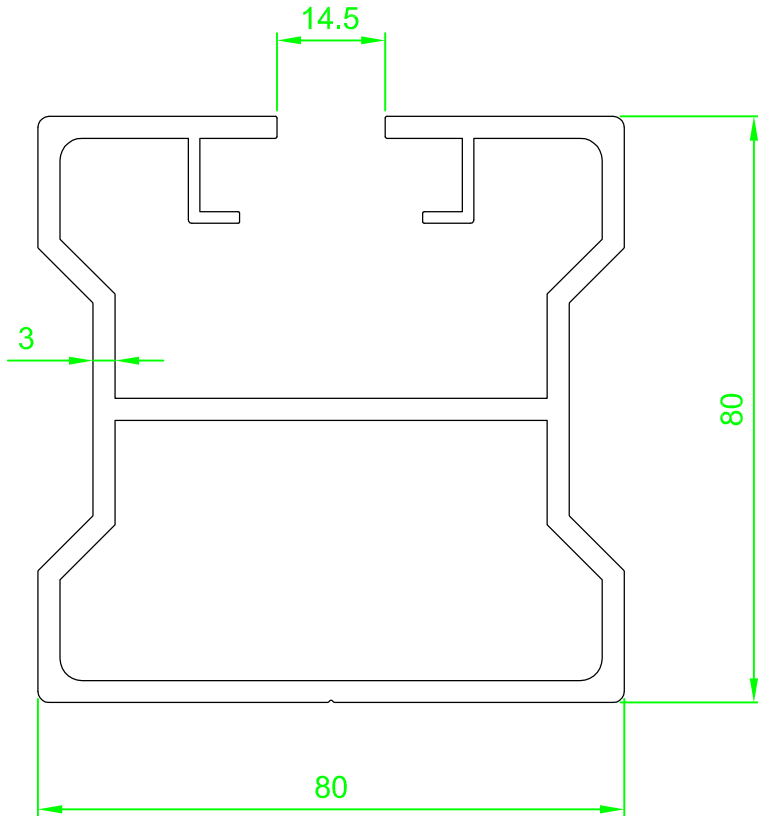


Date	Number	Form Cod



REV	DESCRIPTION					DATE	APVD
DOCUMENTS:	Designed by	Checked by	Approved by	Edition	Date	ATLAS TEK	
	Keshavarz	Nafisi	Keshavarz	1	95/08/01		
	PROFILE RAIL.FRAME.B.			material	dimension	Scale	STD: ISO
			AL 6063	MM	1:1		
Qty:	Weight:	Tol:	DRAWING_NUMBER:				
1	3.15Kg/m	±0.05	PH.RAIL.FRAME.B.				