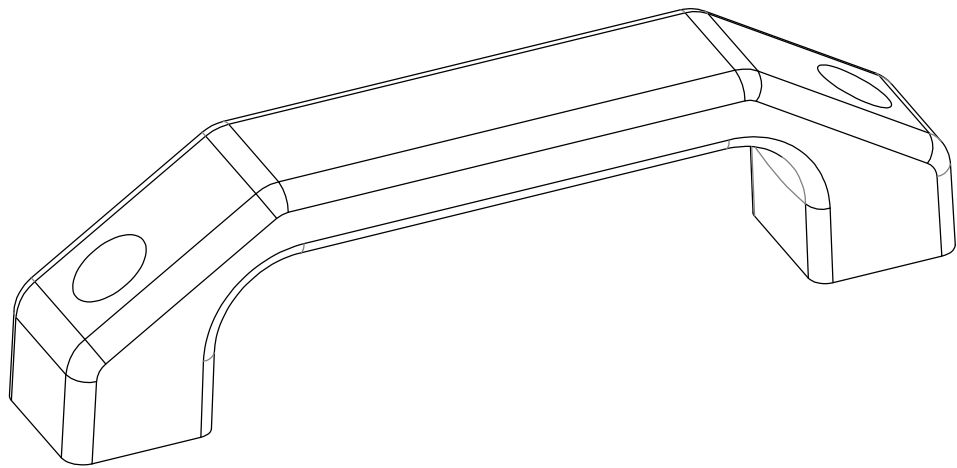
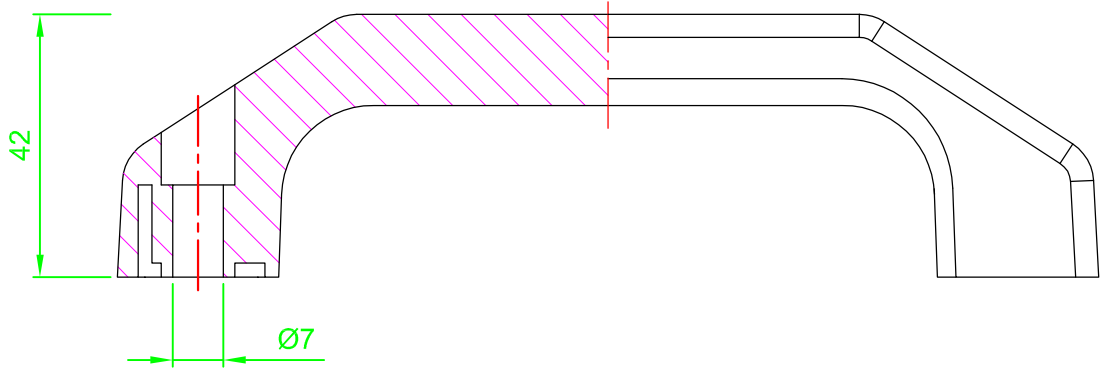
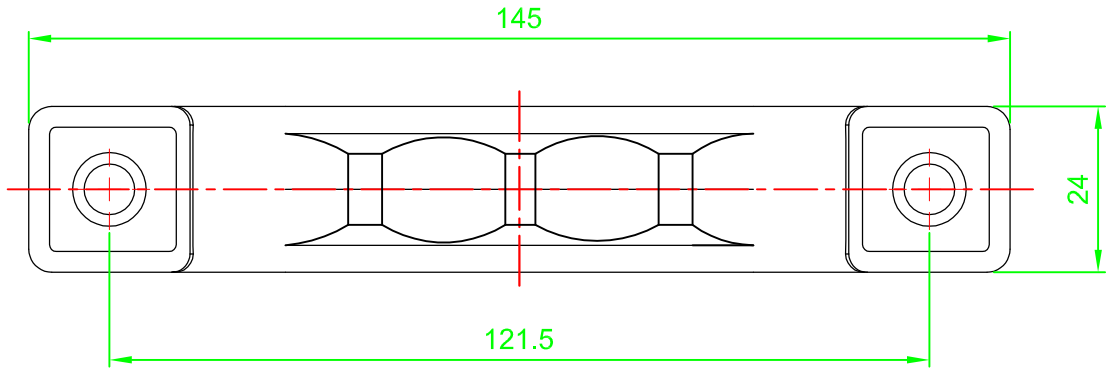


Date	Number	Form Cod



REV	DESCRIPTION					DATE	APVD
DOCUMENTS:		Designed by	Checked by	Approved by	Edition	Date	<b>ATLAS TEK</b>
		Keshavarz	Nafisi	Keshavarz	1	95/08/01	
		<b>ACCESSORY HANDLE.4001.IR</b>			material	dimension	
					PolyAmide	MM	1:1
					STD: ISO		
Qty:	Weight:	Tol:	DRAWING_NUMBER:				
1	50gr	±0.05	AH.HANDLE.4001.IR				