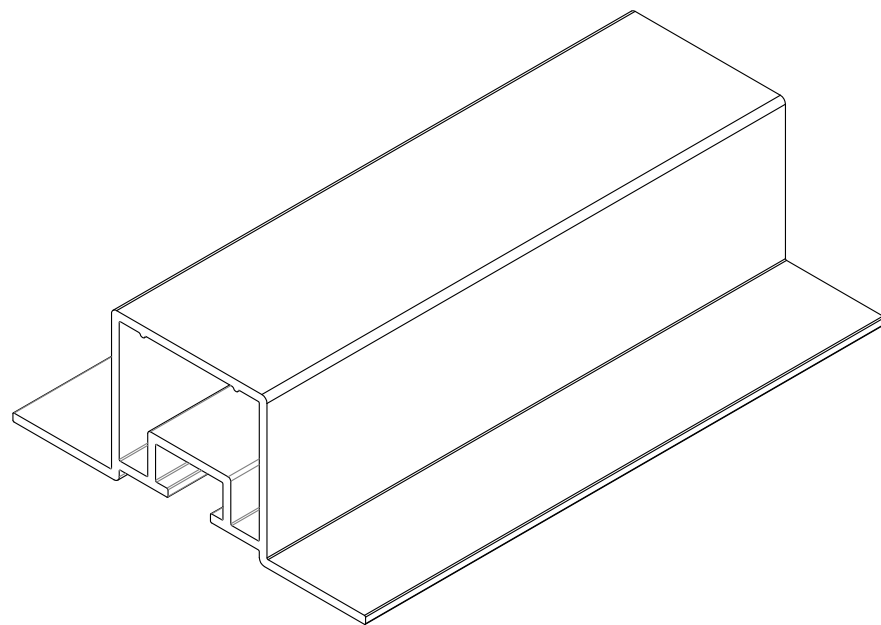
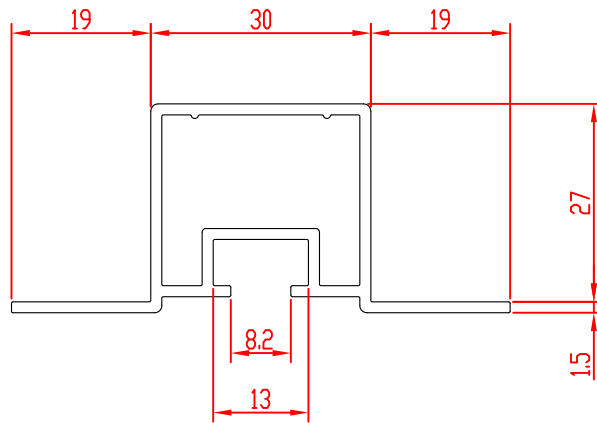




Date	Number	Form Cod



REV	DESCRIPTION					DATE	APVD
DOCUMENTS:		Designed by	Checked by	Approved by	Edition	Date	  STD: ISO
		Nekoonam			1	99/08/01	
		PROFILE		material	dimension	Scale	
		SEPARI.3CM.SHIARDAR		AL 6063	MM	1:1	
Qty:	Weight:	Tol:	DRAWING_NUMBER:				
1	0.65Kg/M	±0.05	PH.SEPARI.3CM.SHIARDAR				