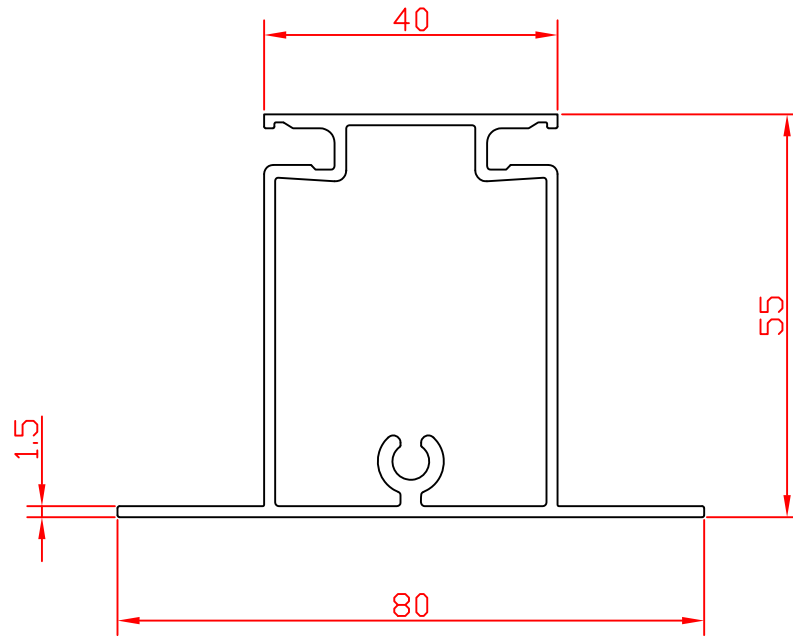


Date	Number	Form Cod
96/02/12		FR1109-00



REV	DESCRIPTION					DATE	APVD
DOCUMENTS:		Designed by	Checked by	Approved by - date	Edition	Date	STD: ISO
		Nekoonam			1	96/02/12	
		SEPARY5.5H		material	dimension	Scale	
Qty:	Weight:	Tol:	DRAWING_NUMBER:		Filename:		
1	1.1 (kg/m)	±0.1					
				AL-6063	MM	1:1	