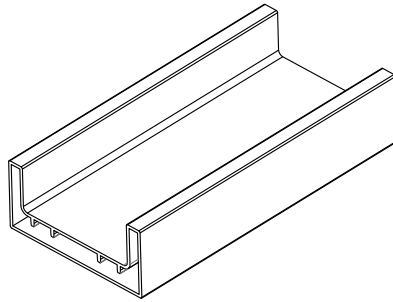
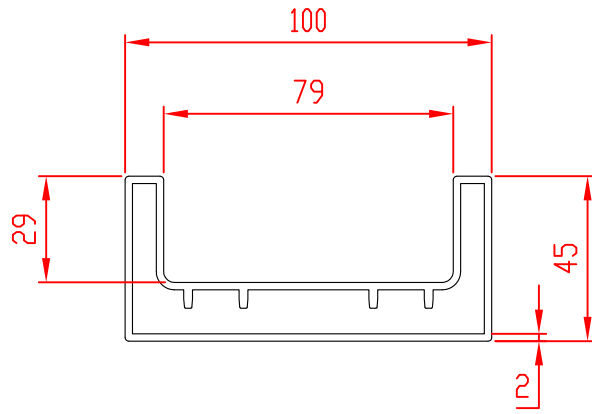
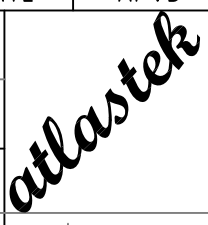


	Number	Form Cod



REV	DESCRIPTION					DATE	APVD	
DOCUMENTS:	Designed by	Checked by	Approved by	Edition	Date			
	Nekoonam			1	95/08/01			
	PROFILE 45. یس اش. لی فورپ			material	dimension			Scale
Qty:	Weight:	Tol:	DRAWING_NUMBER:		AL 6063	MM	1:2	STD: ISO
1	2 Kg/m	±0.1	...					