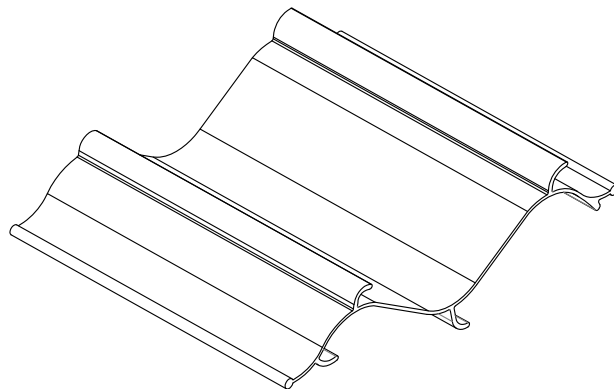
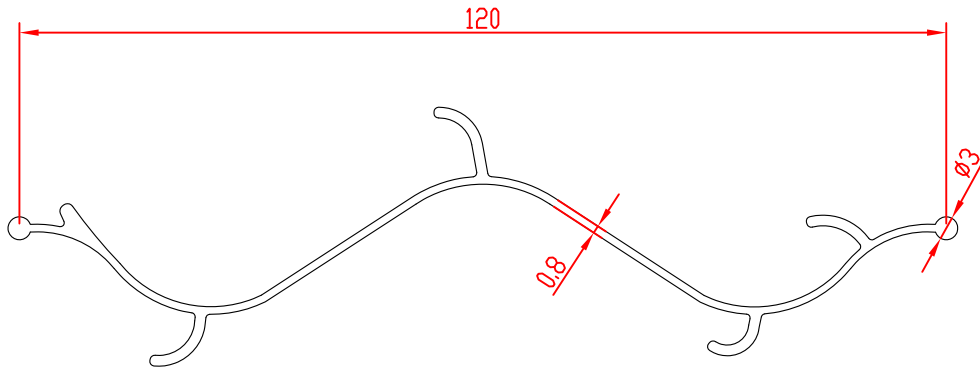


Date	Number	Form Cod



REV	DESCRIPTION					DATE	APVD
DOCUMENTS:		Designed by	Checked by	Approved by - date	Edition	Date	<i>atlastek</i>
		Nekoonam			1	94/05/31	
		PROFILE GHATREGIR.BLADE		material	dimension	Scale	
Qty:	Weight:	Tol:	DRAWING_NUMBER:		Filename:		
1	0.5 Kg/m	±0.05	PH.GHATREGIR.BLADE		AL 6063	MM	1:1
STD: ISO							