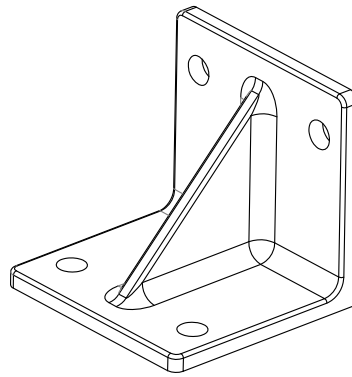
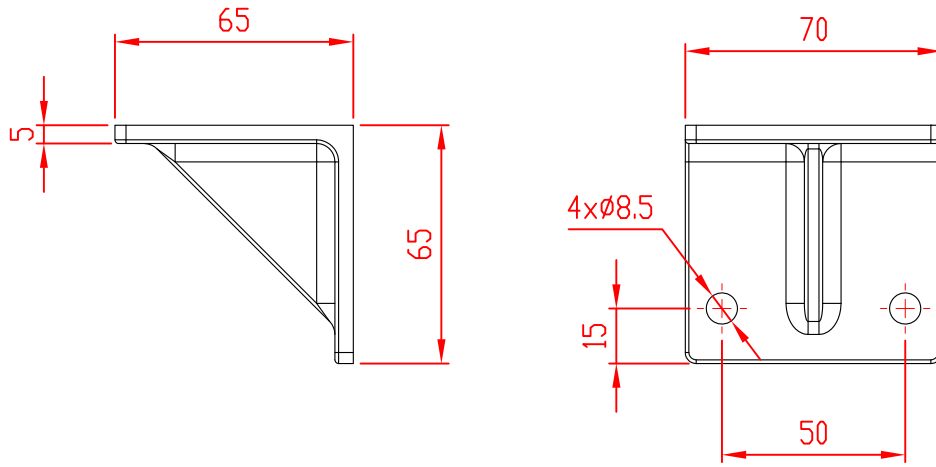




Date	Number	Form Cod



REV	DESCRIPTION					DATE	APVD
DOCUMENTS:	Designed by	Checked by	Approved by	Edition	Date		
	Nekoonam			1	95/08/01		
	<b>ACCESSORY</b>			material	dimension		
	<b>SHASI.CONNECTOR.</b>			Al-Casting	MM	1:2	 STD: ISO
Qty:	Weight:	Tol:	DRAWING_NUMBER:				
1	137gr	±0.1	<b>SHASI.CONNECTOR.</b>				