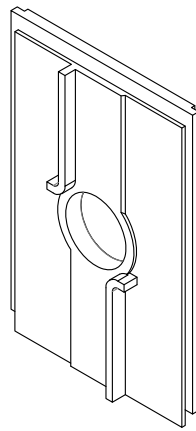
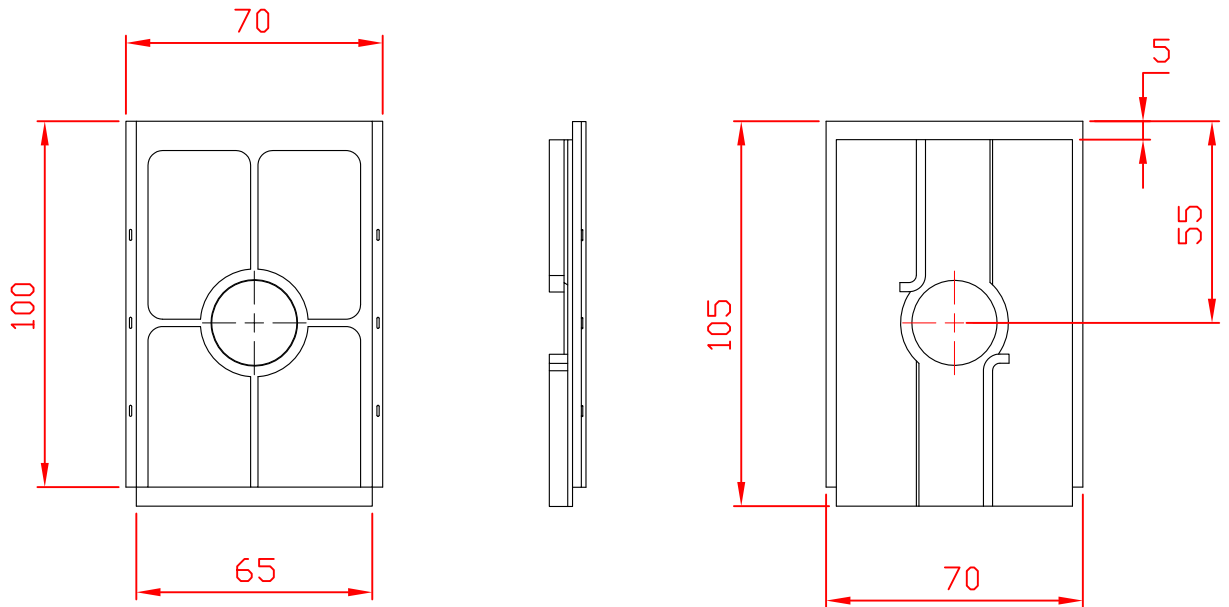



Date	Number	Form Cod



REV	DESCRIPTION					DATE	APVD
DOCUMENTS:	Designed by	Checked by	Approved by	Edition	Date		
	Nekoonam			1	97/03/01		
	ACCESSORY RIGHT.SLIDING			material	dimension		
Qty:	Weight:	Tol:	DRAWING_NUMBER:		PA-6.6	MM	1:2
1	22 gr	±0.1	AH.RIGHT.SLIDING				STD: ISO