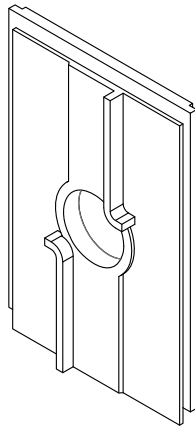
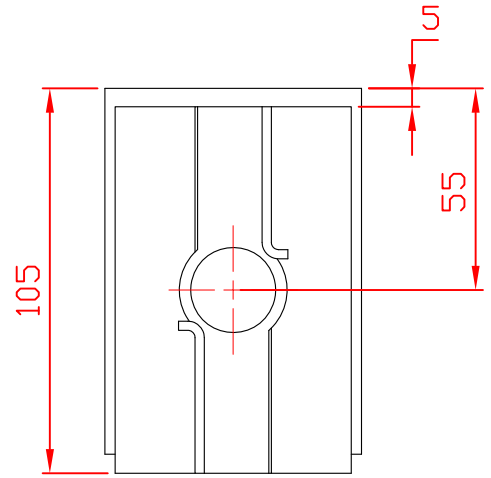
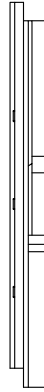
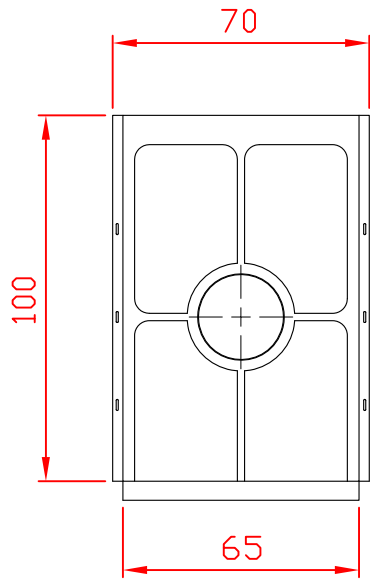


|      |        |          |
|------|--------|----------|
| Date | Number | Form Cod |
|      |        |          |



| REV        | DESCRIPTION |                                   |                 |             |           | DATE     | APVD            |
|------------|-------------|-----------------------------------|-----------------|-------------|-----------|----------|-----------------|
| DOCUMENTS: |             | Designed by                       | Checked by      | Approved by | Edition   | Date     | <b>atlastek</b> |
|            |             | Nekoonam                          |                 |             | 1         | 97/03/01 |                 |
|            |             | <b>ACCESSORY<br/>LEFT.SLIDING</b> |                 | material    | dimension | Scale    |                 |
|            |             |                                   |                 | PA-6.6      | MM        | 1:2      | STD: ISO        |
| Qty:       | Weight:     | Tol:                              | DRAWING_NUMBER: |             |           |          |                 |
| 1          | 22 gr       | ±0.1                              | AH.LEFT.SLIDING |             |           |          |                 |