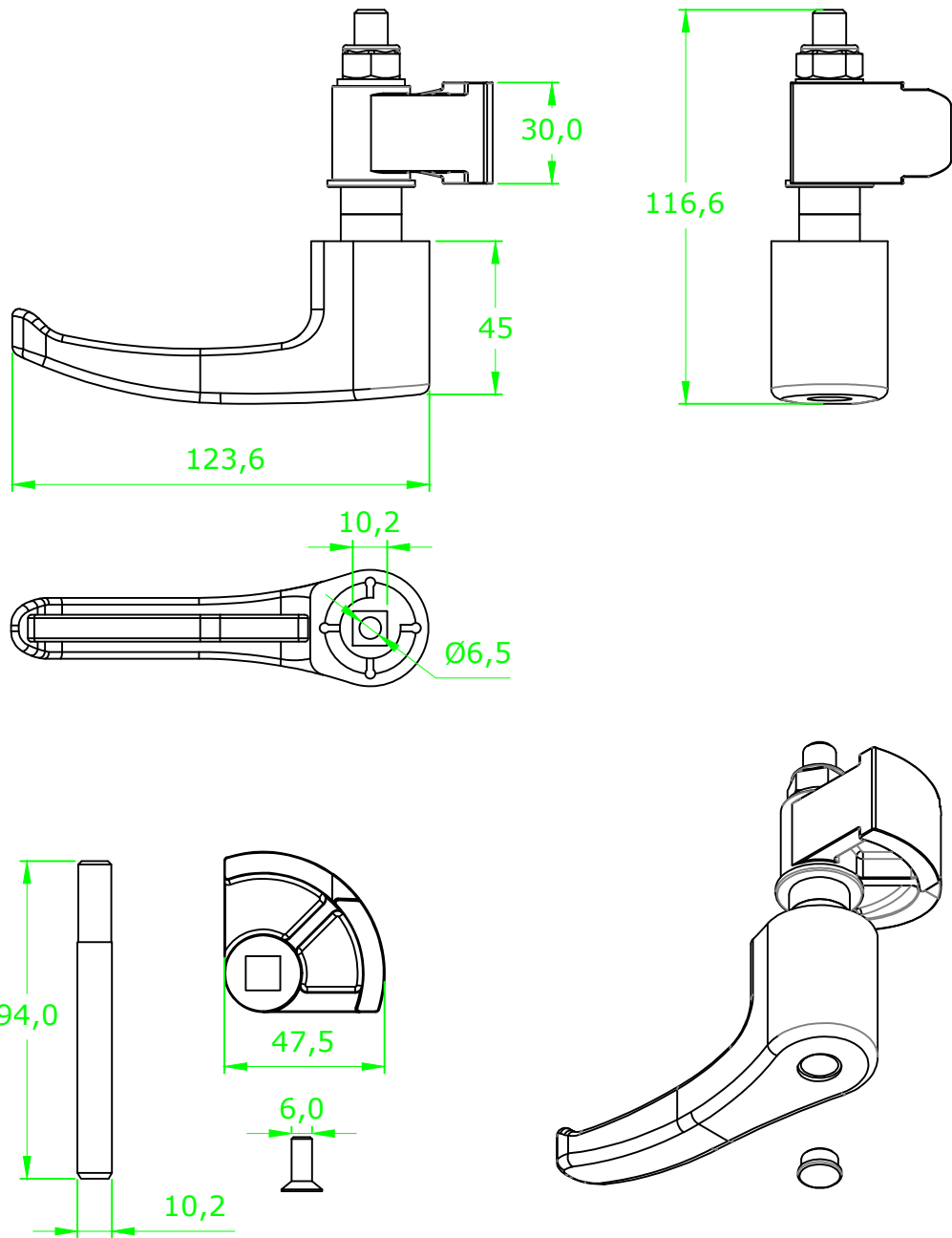


Date	Number	Form Cod



REV	DESCRIPTION					DATE	APVD
DOCUMENTS:	Designed by	Checked by	Approved by	Edition	Date	<b>ATLAS TEK</b>	
	Keshavarz	Nafisi	Keshavarz	1	98/02/01		
	ACCESSORY ROTATIONAL.HANDLE.			material	dimension		
Qty:	Weight:	Tol:	DRAWING_NUMBER:		STD: ISO		
1	128 gr	±0.05	AH.ROTATIONAL.HANDLE.				