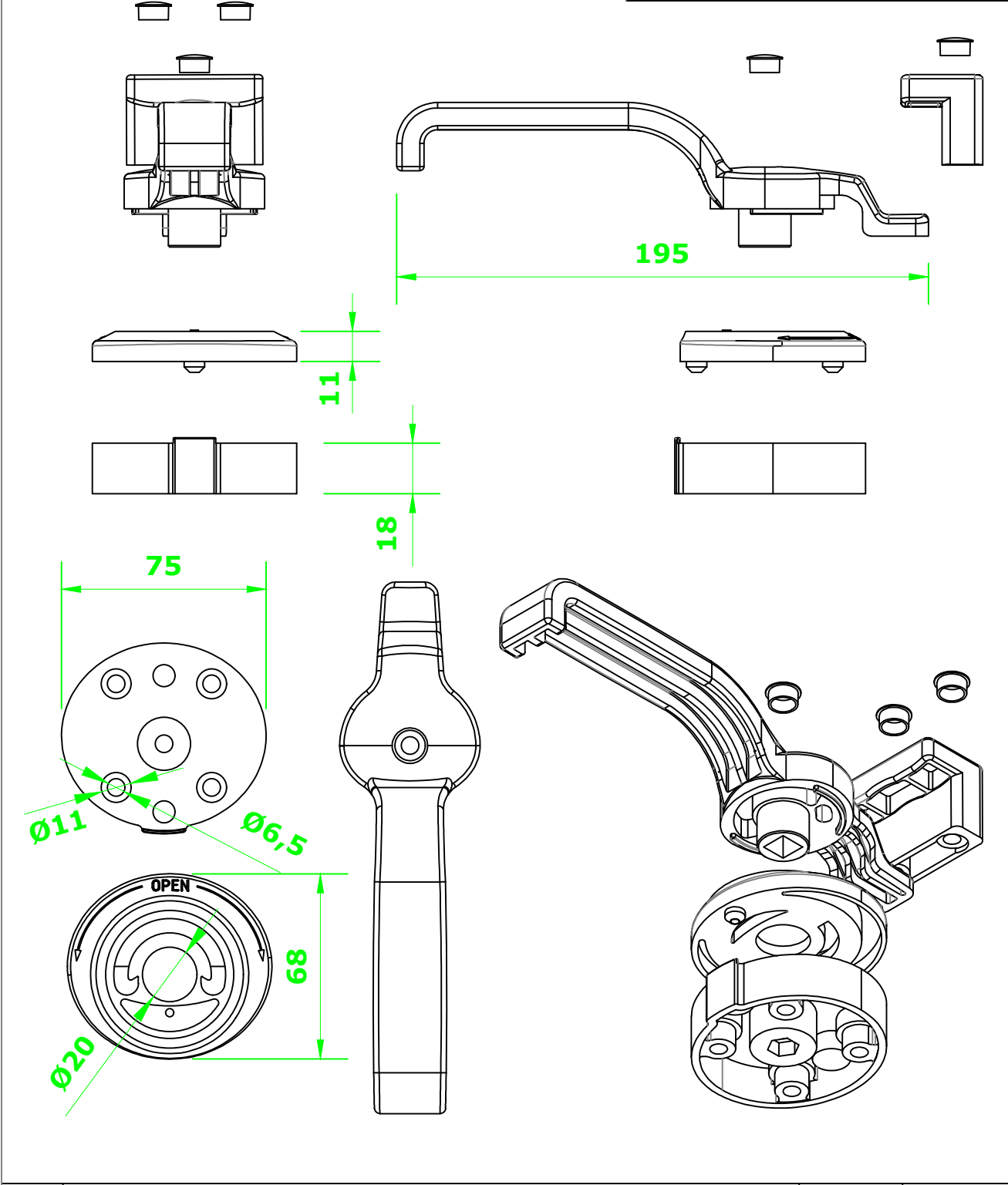


Date	Number	Form Cod



REV	DESCRIPTION					DATE	APVD
DOCUMENTS:	Designed by	Checked by	Approved by	Edition	Date	<b>ATLAS TEK</b>	
	Keshavarz	Nafisi	Keshavarz	1	98/02/01		
	<b>ACCESSORY HYGIENIC.HANDLE.</b>			material	dimension		
Qty:	Weight:	Tol:	DRAWING_NUMBER:		PolyAmide    MM    1:2     STD: ISO		
1	155 gr	$\pm 0.05$	AH.HYGIENIC.HANDLE.				