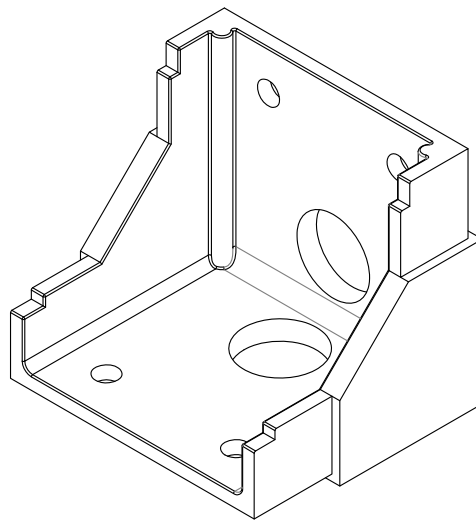
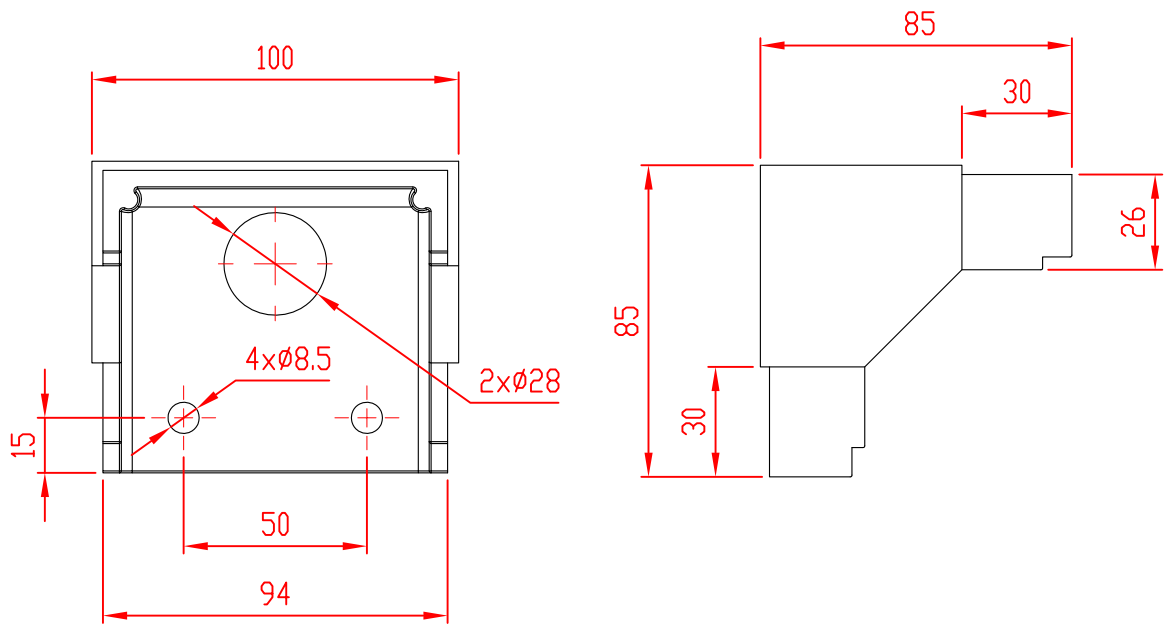


Date	Number	Form Cod



REV	DESCRIPTION					DATE	APVD	
DOCUMENTS:	Designed by	Checked by	Approved by	Edition	Date			
	Nekoonam			1	95/08/01			
	ACCESSORY SHASI.CORNER			material	dimension			Scale
Qty:	Weight:	Tol:	DRAWING_NUMBER:		Al-Casting	MM	1:2	STD: ISO
1	385gr	±0.1	AH.SHASI.CORNER					