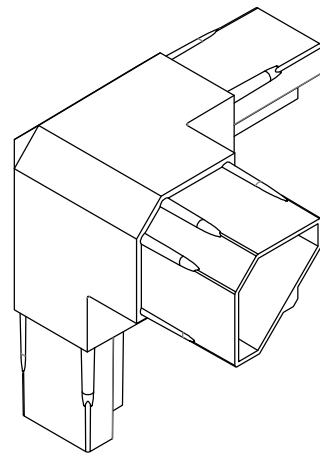
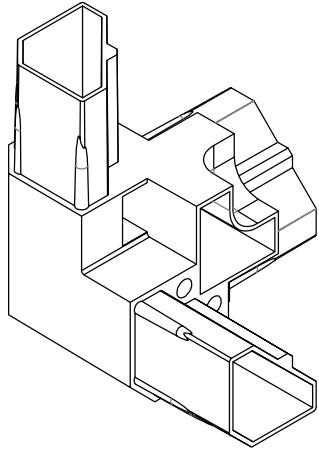
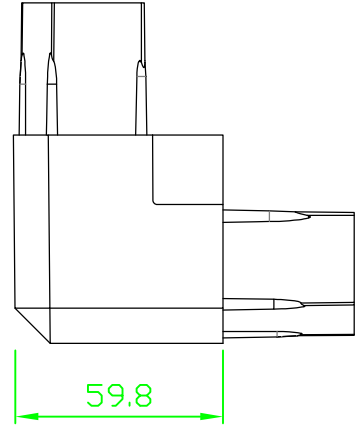
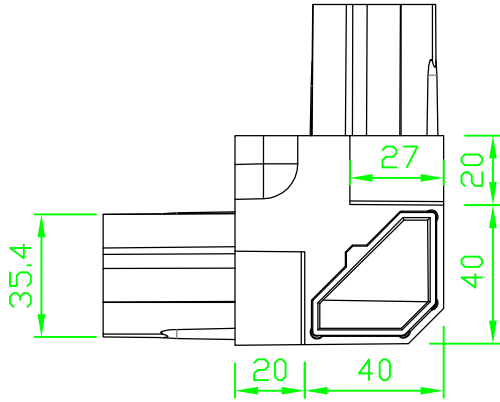


Date	Number	Form Cod



REV	DESCRIPTION					DATE	APVD
DOCUMENTS:	Designed by	Checked by	Approved by	Edition	Date	<b>ATLAS TEK</b>	
	Keshavarz	Nafisi	Keshavarz	1	95/08/01		
	<b>ACCESSORY</b>			material	dimension		Scale
	<b>CORNER.4CM.HYGIENIC.</b>			Polyamide	MM		2:1
Qty:	Weight:	Tol:	DRAWING_NUMBER:		STD: ISO		
1	137 gr	±0.05	AH.CORNER.4CM.HYGIENIC.				