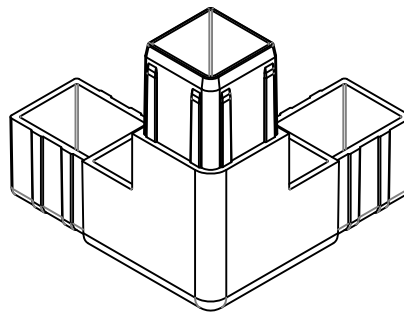
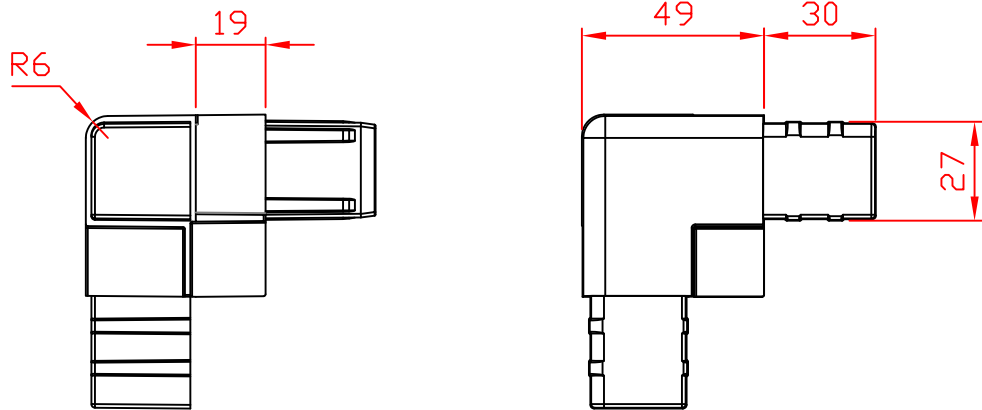
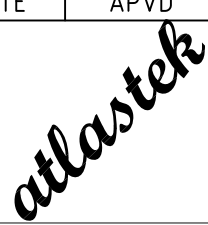



Date	Number	Form Cod



REV	DESCRIPTION					DATE	APVD
DOCUMENTS:	Designed by	Checked by	Approved by	Edition	Date		
	Nekoonam			1	99/08/01		
	<b>CORNER 3CM-PA-AT</b>			material	dimension		
PA-6.6				MM	2:1	 STD: ISO	
Qty:	Weight:	Tol:	DRAWING_NUMBER:				
1	0.068 Kg	±0.1					