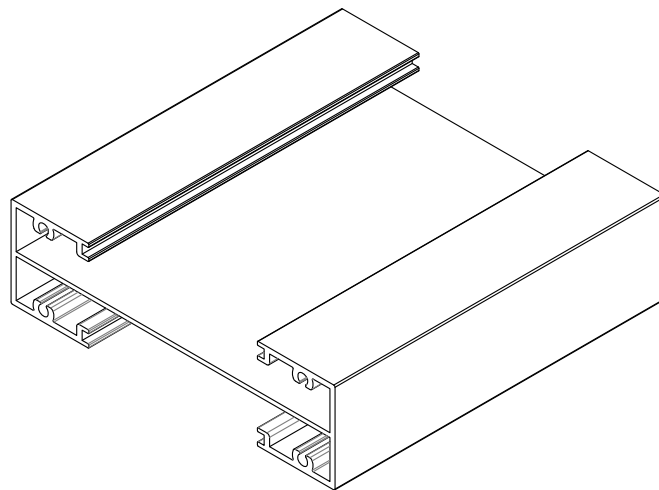
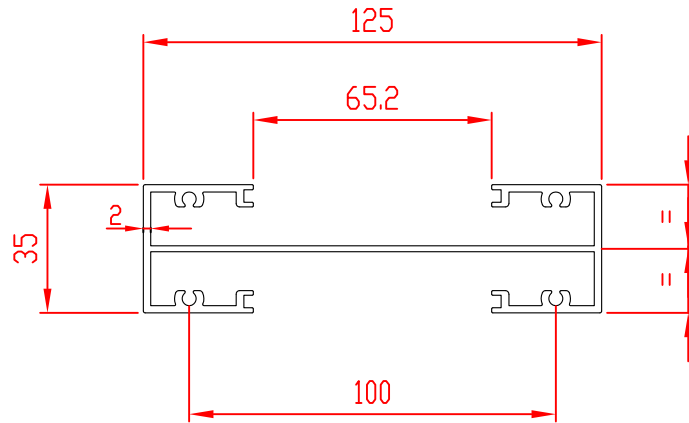
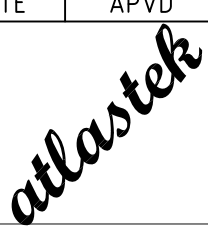


Date	Number	Form Cod



REV	DESCRIPTION					DATE	APVD
DOCUMENTS:	Designed by	Checked by	Approved by	Edition	Date		
	Nekoonam			1	95/08/01		
	PROFILE DAMPER.SOTOON			material	dimension		
Qty:	Weight:	Tol:	DRAWING_NUMBER:		AL 6063	MM	1:2
1	1.8 Kg/m	±0.1	PH.DAMPER.POLE				STD: ISO