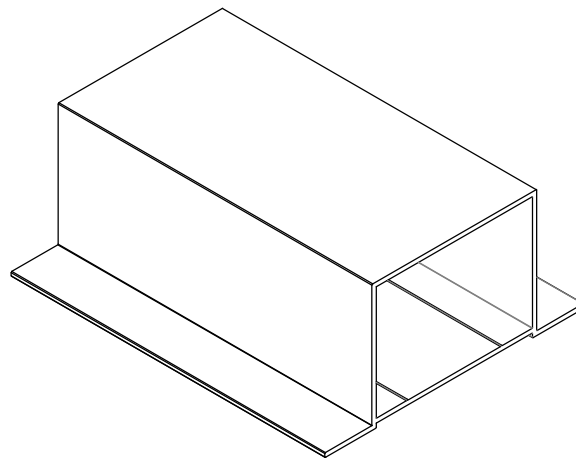
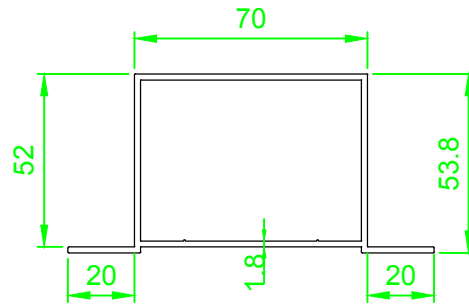


Date	Number	Form Cod



REV	DESCRIPTION					DATE	APVD
DOCUMENTS:	Designed by	Checked by	Approved by	Edition	Date	ATLAS TEK	
	Keshavarz	Nafisi	Keshavarz	1	95/08/01		
	PROFILE 5KHAM.7CM.PAKHDAR			material	dimension	Scale	⌀ STD: ISO
			AL 6063	MM	1:1		
Qty:	Weight:	Tol:	DRAWING_NUMBER:				
1	1.43 Kg	±0.05	PH.5KHAM.7CM.PAKHDAR				