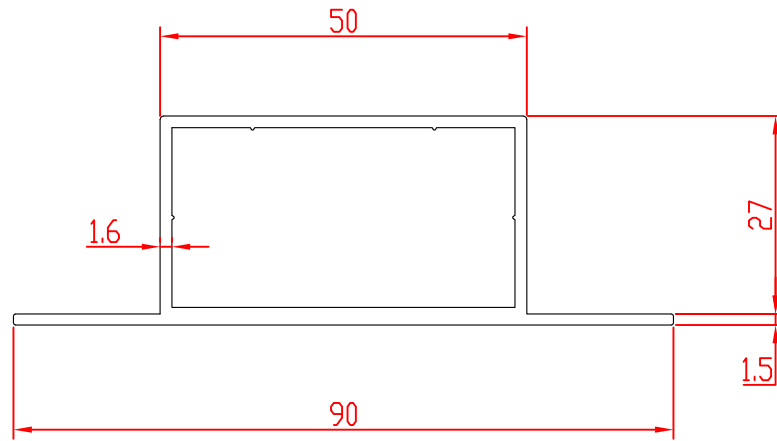
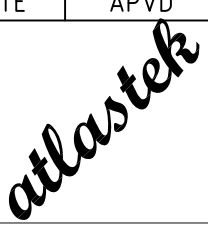



Date	Number	Form Cod



REV	DESCRIPTION					DATE	APVD
DOCUMENTS:	Designed by	Checked by	Approved by	Edition	Date		
	Nekoonam			1	95/08/01		
	<b>PROFILE</b>			material	dimension		
	<b>SEPARI.5CM.POSHT.SAF</b>			AL 6063	MM	1:1	 STD: ISO
Qty:	Weight:	Tol:	DRAWING_NUMBER:				
1	0.9 Kg/m	±0.1	PH.SEPARI.5CM.POSHT.SAF				