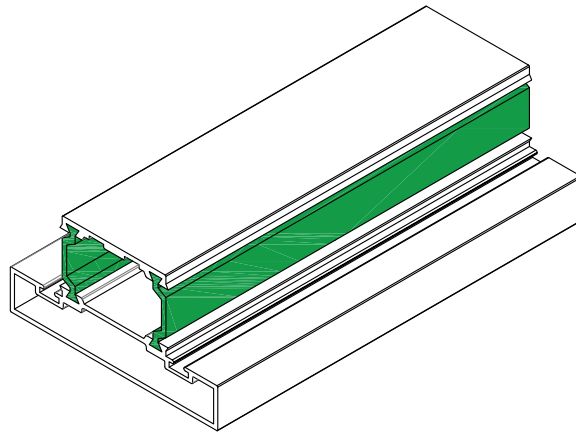
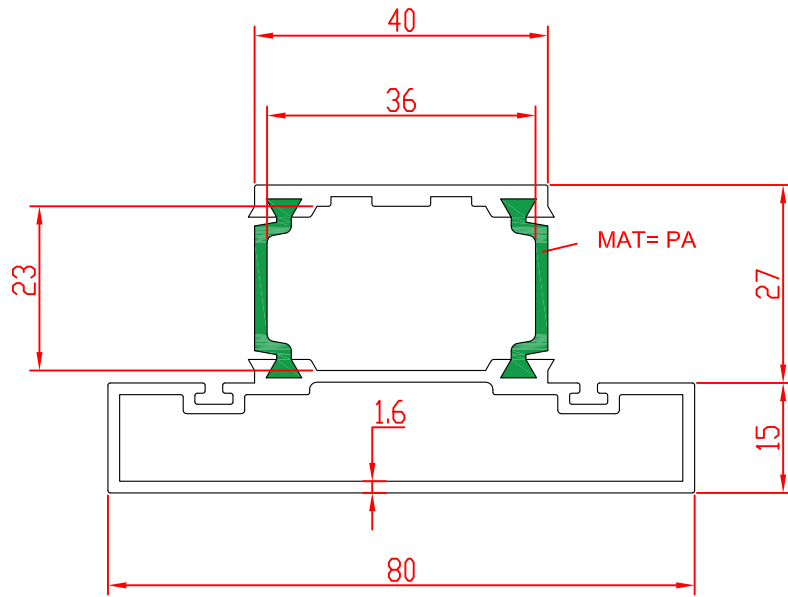
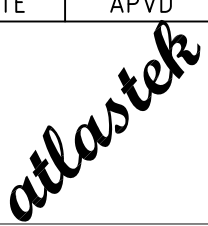


Date	Number	Form Cod



REV	DESCRIPTION					DATE	APVD	
DOCUMENTS:	Designed by	Checked by	Approved by	Edition	Date			
	Nekoonam			1	99/08/01			
	PROFILE-SEPARI 4CM-TERMALBREAK			material	dimension			Scale
Qty:	Weight:	Tol:	DRAWING_NUMBER:		AL 6063	MM	1:1	STD: ISO
1	1.4 Kg/m	±0.1	PH.SEPARI-4CM-TERM					