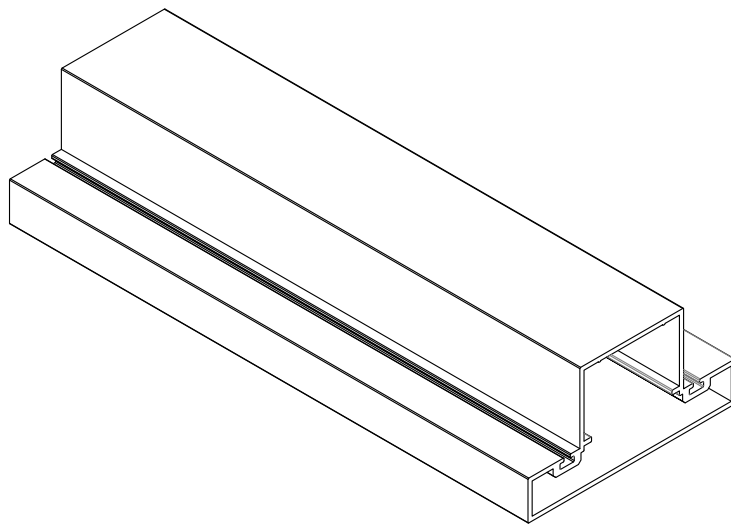
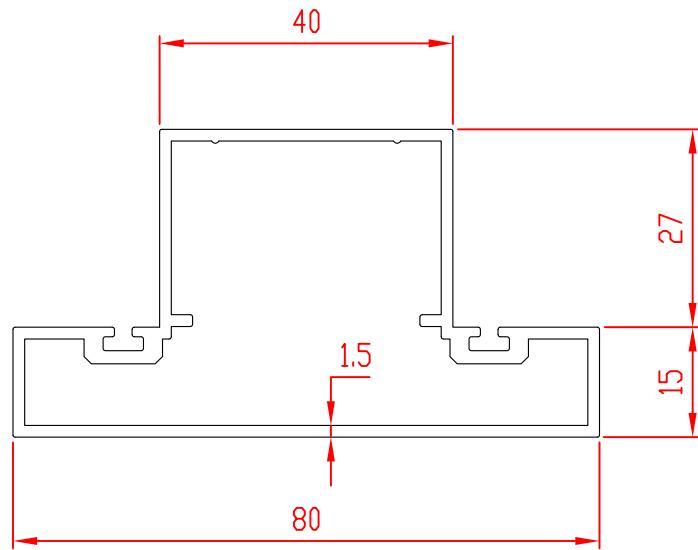




| | | |
|------|--------|----------|
| Date | Number | Form Cod |
| | | |



| | | | | | | | |
|------------|----------------------------|------------|------------------------|----------|-----------|---|------|
| REV | DESCRIPTION | | | | | DATE | APVD |
| DOCUMENTS: | Designed by | Checked by | Approved by | Edition | Date |   STD: ISO | |
| | Nekoonam | | | 1 | 95/08/01 | | |
| | PROFILE | | | material | dimension | | |
| | SEPARI.4CM.HYGIENIC | | | AL 6063 | MM | 1:1 | |
| Qty: | Weight: | Tol: | DRAWING_NUMBER: | | | | |
| 1 | 1.05 Kg/m | ±0.1 | PH.SEPARI.4CM.HYGIENIC | | | | |