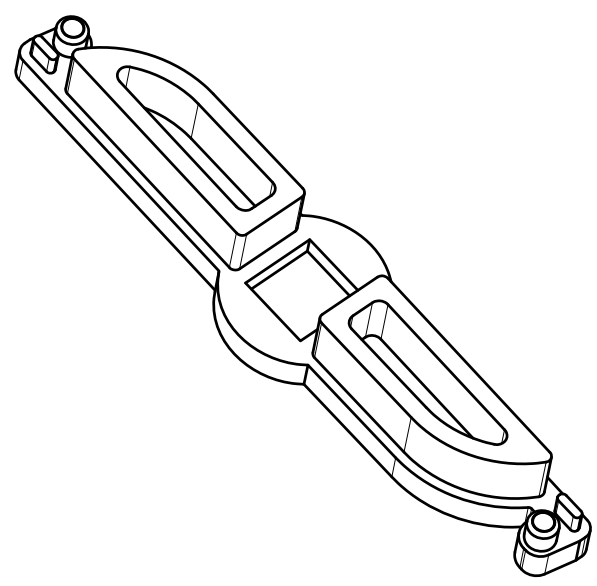
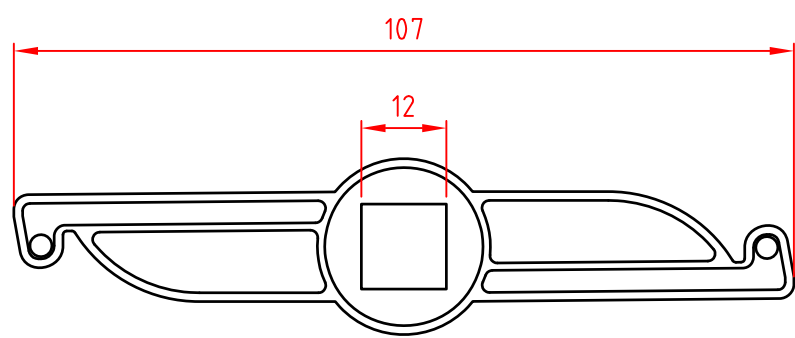
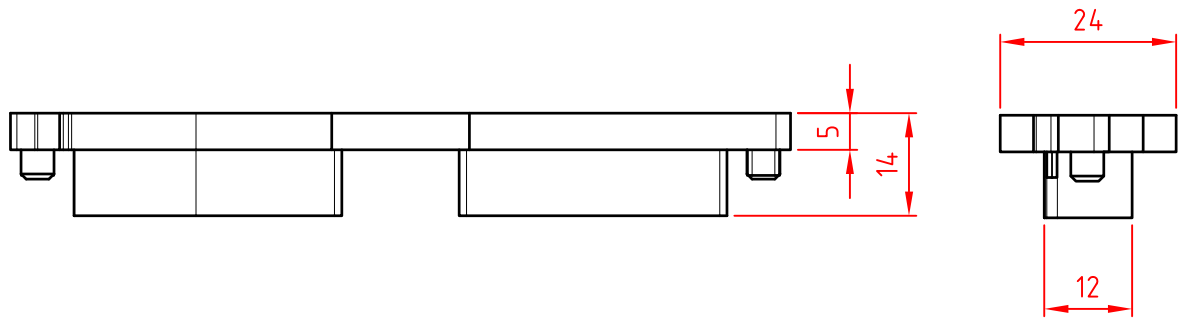


Date	Number	Form Cod



REV	DESCRIPTION					DATE	APVD
DOCUMENTS:		Designed by	Checked by	Approved by	Edition	Date	<i>atlastek</i>
		Nekoonam			1	97/03/01	
		ACCESSORY RIGHT.TPV.		material	dimension	Scale	
Qty:	Weight:	Tol:	DRAWING_NUMBER:		Thermo Plast	MM	1:1
1	8 gr	±0.1	AH.RIGHT.TPV.				STD: ISO