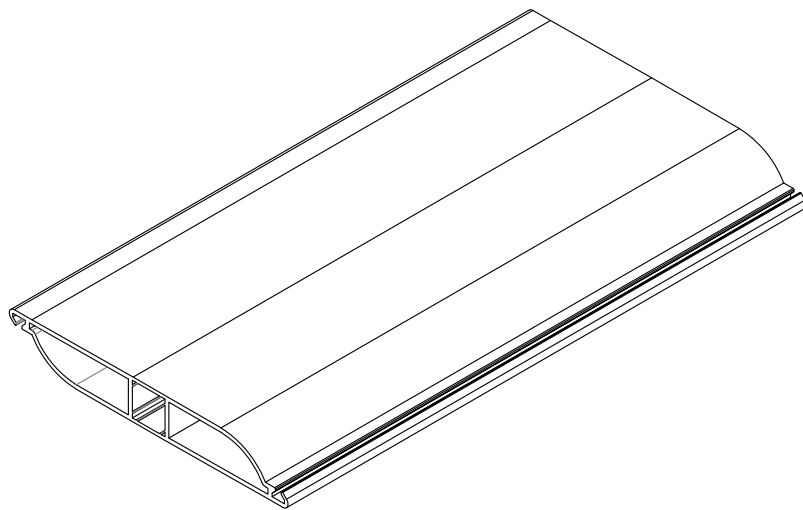
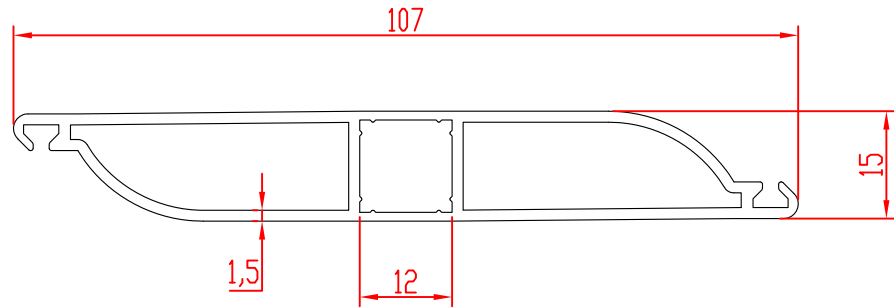




Date	Number	Form Cod



REV	DESCRIPTION					DATE	APVD
DOCUMENTS:		Designed by	Checked by	Approved by	Edition	Date	  STD: ISO
		Nekoonam			1	95/08/01	
		<b>PROFILE DAMPER.BLADE</b>		material	dimension	Scale	
Qty:	Weight:	Tol:	DRAWING_NUMBER:		AL 6063	MM	1:1
1	0.95 Kg	±0.1	PH.DAMPER.BLADE				