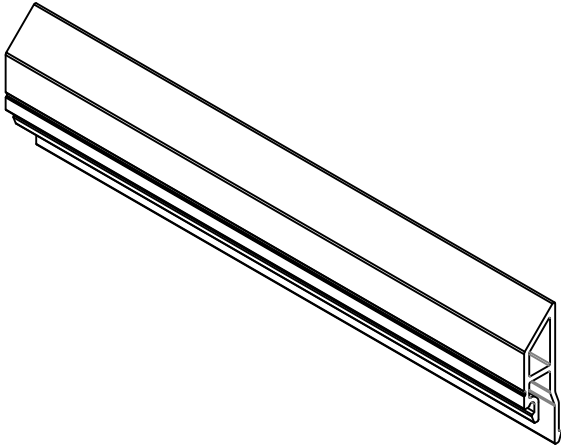
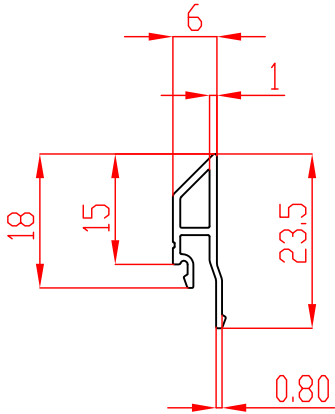


Date	Number	Form Cod



REV	DESCRIPTION					DATE	APVD
DOCUMENTS:		Designed by	Checked by	Approved by	Edition	Date	
		Nekoonam			1	99/08/01	
		<b>PROFILE PANELBAND</b>		material	dimension	Scale	
				AL 6063	MM	1:1	☞⊕ STD: ISO
Qty:	Weight:	Tol:	DRAWING_NUMBER:				
1	0.15 Kg/m	±0.1					