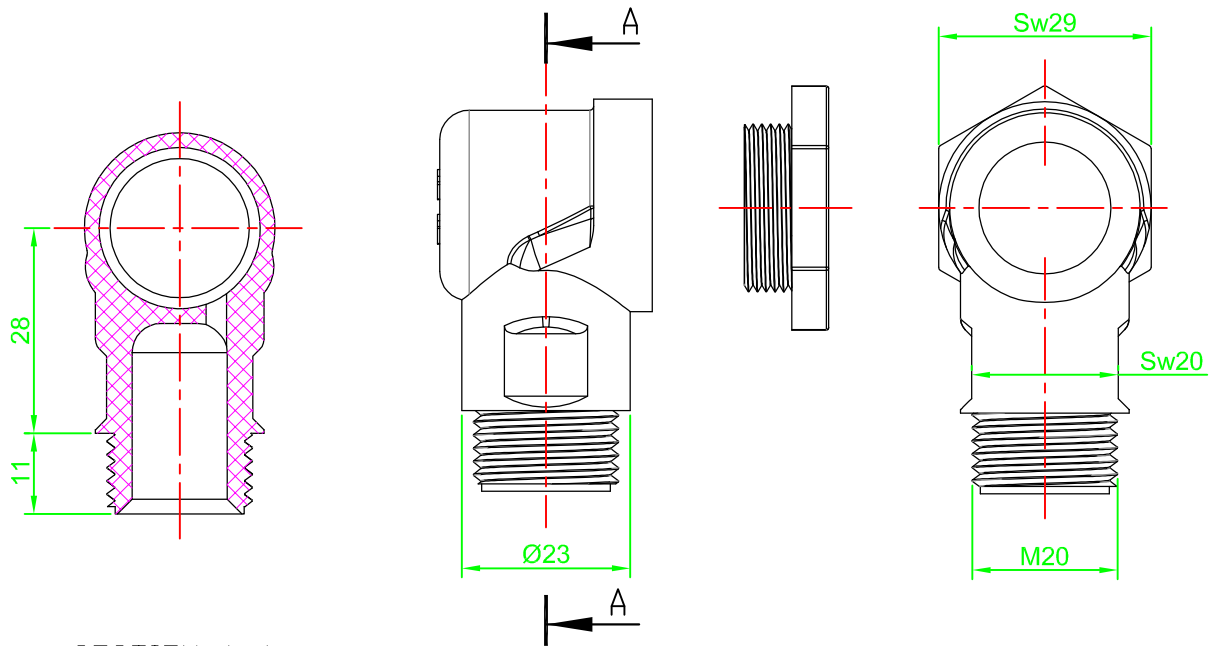
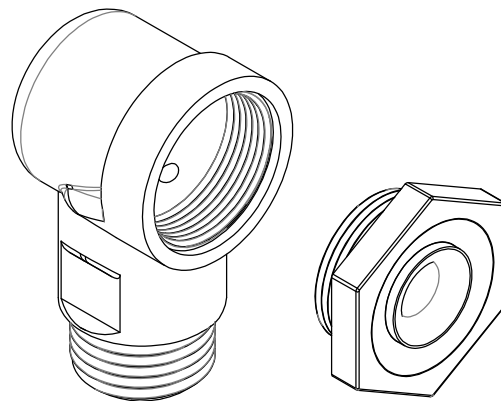


Date	Number	Form Cod



SECTION A-A



REV	DESCRIPTION					DATE	APVD
DOCUMENTS:		Designed by	Checked by	Approved by	Edition	Date	ATLAS TEK
		Keshavarz	Nafisi	Keshavarz	1	95/08/01	
		ACCESSORY NOZZLE.REKHLER		material	dimension	Scale	
				PolyAmide	MM	1:1	STD: ISO
Qty:	Weight:	Tol:	DRAWING_NUMBER:				
1	21 gr	±0.05	AH.NOZZLE.REKHLER				