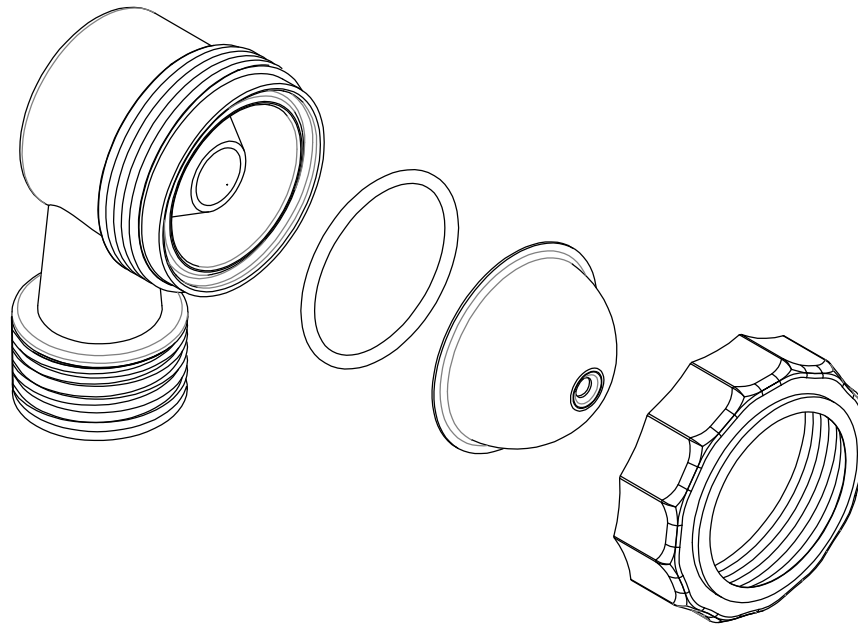
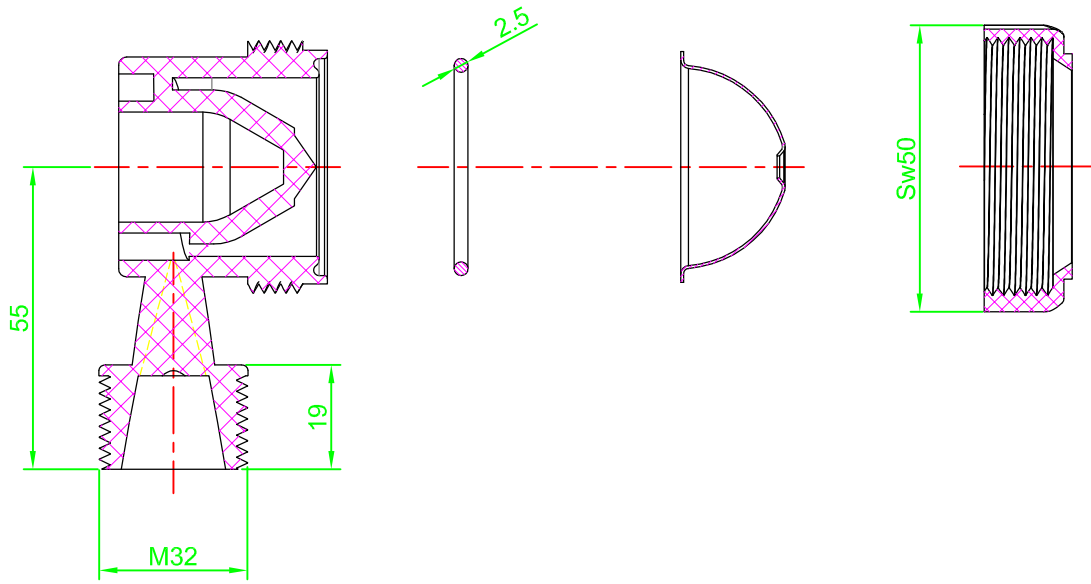


Date	Number	Form Cod



REV	DESCRIPTION					DATE	APVD
DOCUMENTS:	Designed by	Checked by	Approved by	Edition	Date	ATLAS TEK	
	Keshavarz	Nafisi	Keshavarz	1	95/08/01		
	ACCESSORY NOZZLE.BALE			material	dimension		
Qty:	Weight:	Tol:	DRAWING_NUMBER:		STD: ISO		
1	57 gr	±0.05	AH.NOZZLE.BALE				