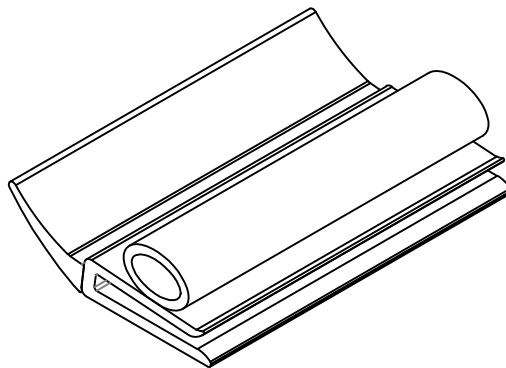
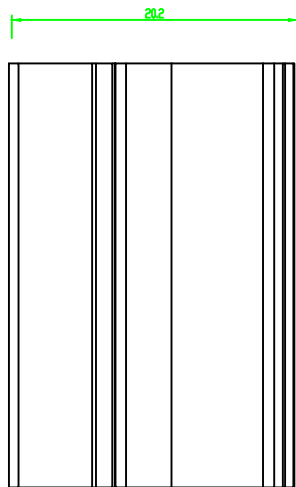
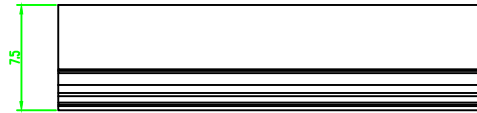
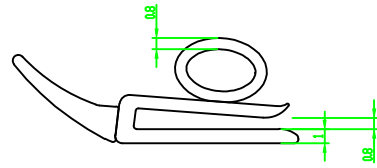


Date	Number	Form Cod



REV	DESCRIPTION					DATE	APVD
DOCUMENTS:	Designed by	Checked by	Approved by	Edition	Date	ATLAS TEK	
	Keshavarz	Nafisi	Keshavarz	1	97/08/01		
	ACCESSORY SIMPLE.PANEL.GASKET			material	dimension	Scale	STD: ISO
			PVC	MM	2:1		
Qty:	Weight:	Tol:	DRAWING_NUMBER:				
1	78gr/m	±0.05	AH.SIMPLE.PANEL.GASKET				