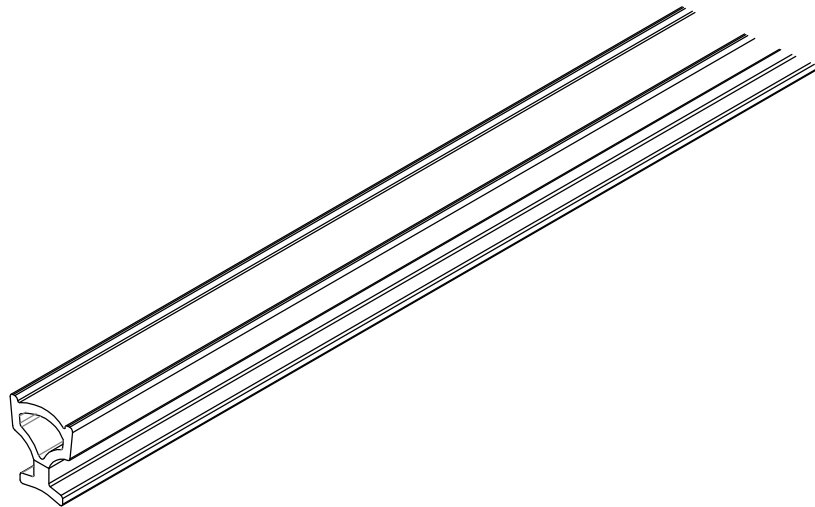
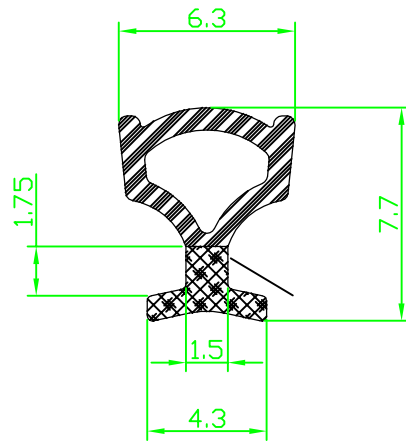


Date	Number	Form Cod



REV	DESCRIPTION					DATE	APVD	
DOCUMENTS:	Designed by	Checked by	Approved by	Edition	Date	ATLAS TEK	STD: ISO	
	Keshavarz	Nafisi	Keshavarz	1	97/08/01			
	GASKET			material	dimension			Scale
	NAVAR.HAVABAND			Rubber	MM			8:1
Qty:	Weight:	Tol:	DRAWING_NUMBER:					
	38gr/m		AH.NAVAR.HAVABAND					