

16

15

14

13

12

11

10

9

8

7

6

5

4

3

2

1

M

M

L

L

K

K

J

J

H

H

G

G

F

F

E

E

D

D

C

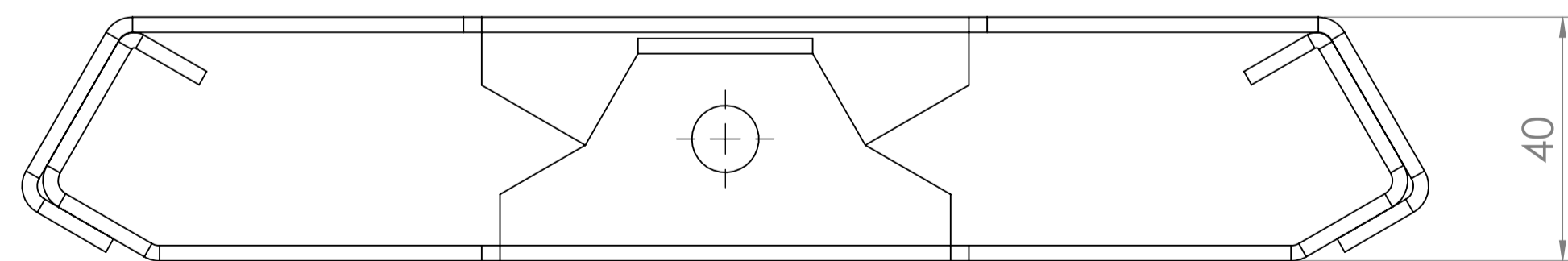
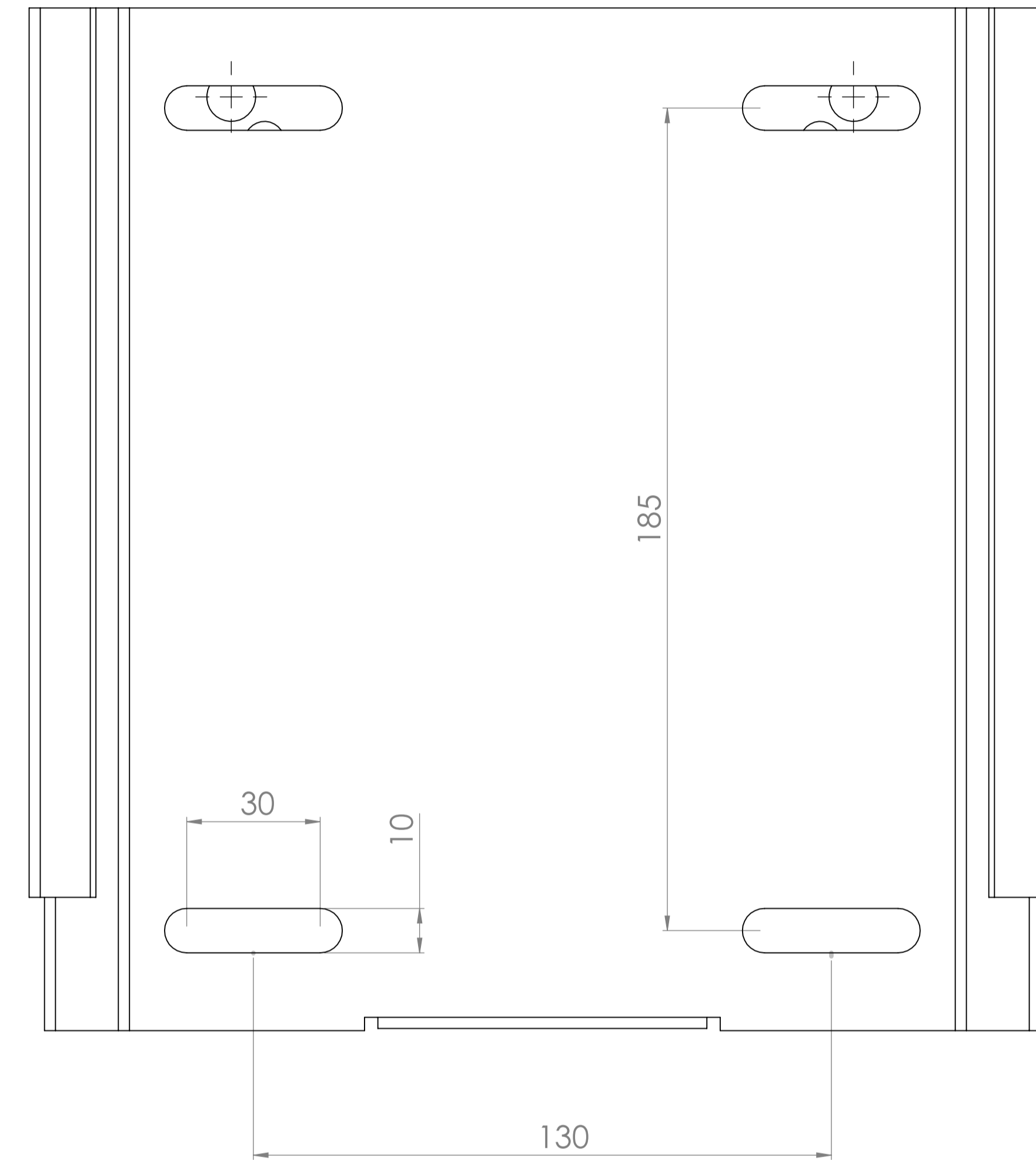
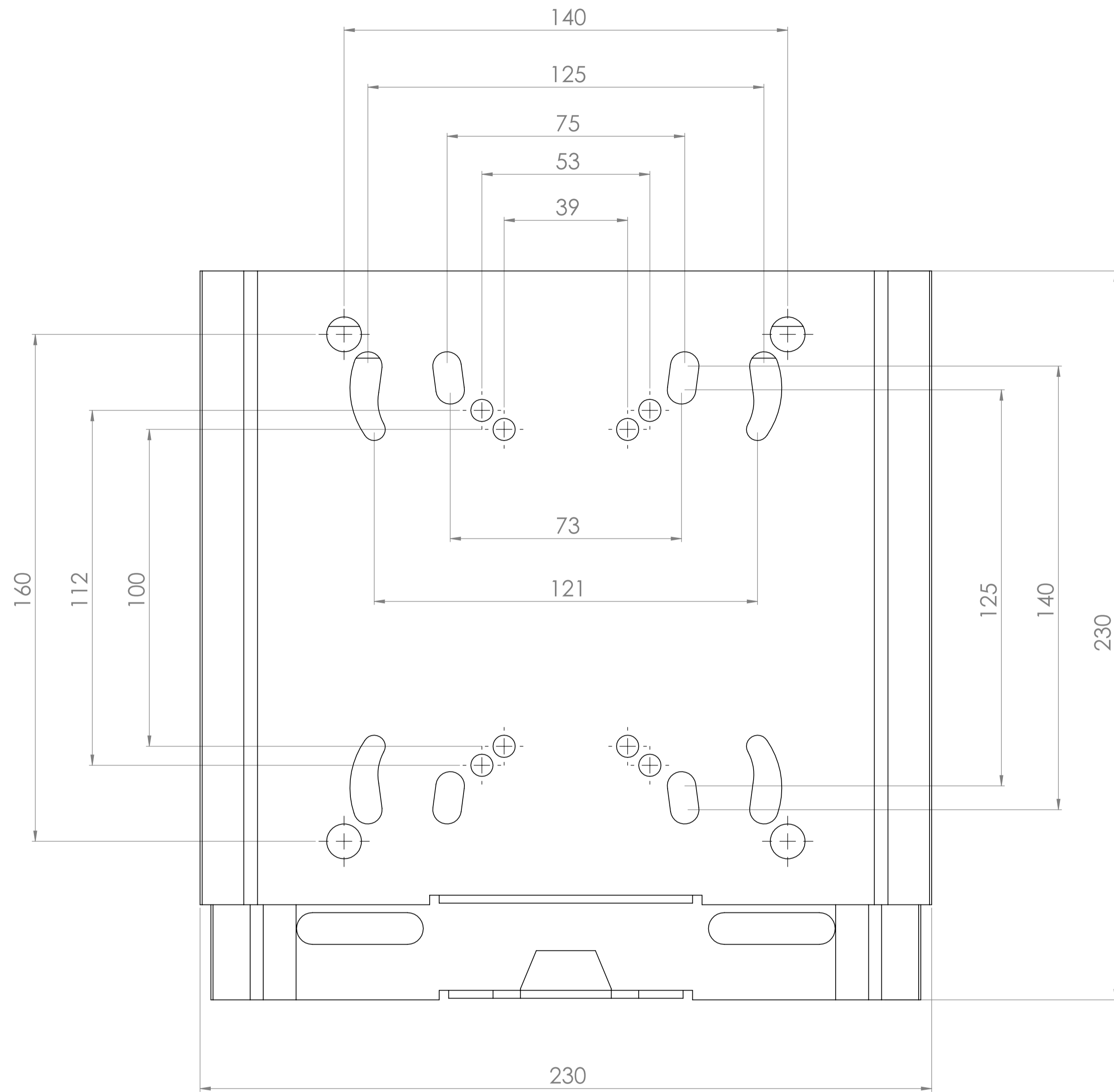
C

B

B

A

A



UNLESS OTHERWISE SPECIFIED: DIMENSIONS ARE IN MILLIMETERS			FINISH:			DEBURR AND BREAK SHARP EDGES			DO NOT SCALE DRAWING			REVISION		
SURFACE FINISH:														
TOLERANCES:														
LINEAR:														
ANGULAR:														
DRAWN			NAME			SIGNATURE			DATE			TITLE		
CHKD														
APPVD														
MRG														
Q.A.														
									MATERIAL:			DWG NO:		
												Motor-Base-21-Dim ^{A1}		
									WEIGHT:			SCALE:1:2		
												SHEET 1 OF 1		