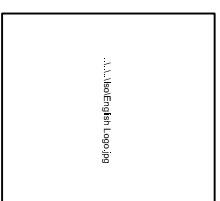
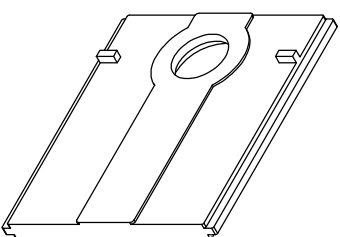
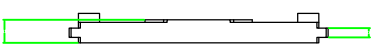
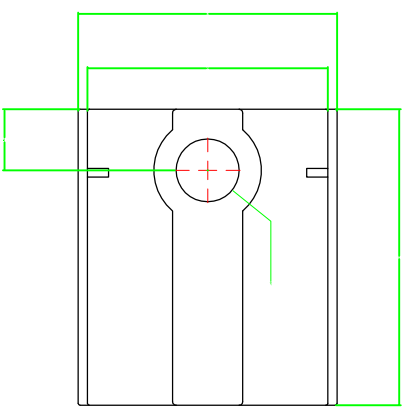
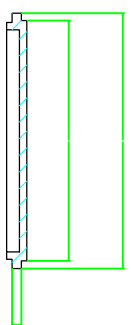


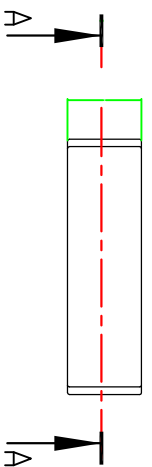
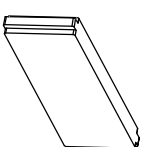
Persian	نام قطعه	قطعات دمپر وزنی
English	Part name	weigh damper parts
Turkish	belum adi	weigh damper parts



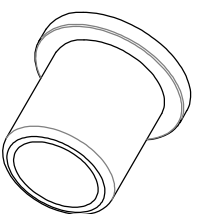
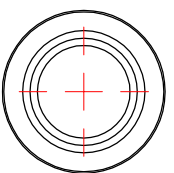
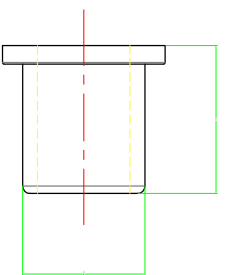
Code.	Material	L (mm)	Weight (kg)
KD-V-02	PA 6.6	80	0.017



SECTION A-A

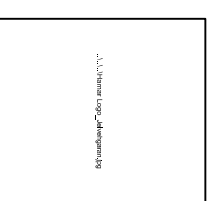
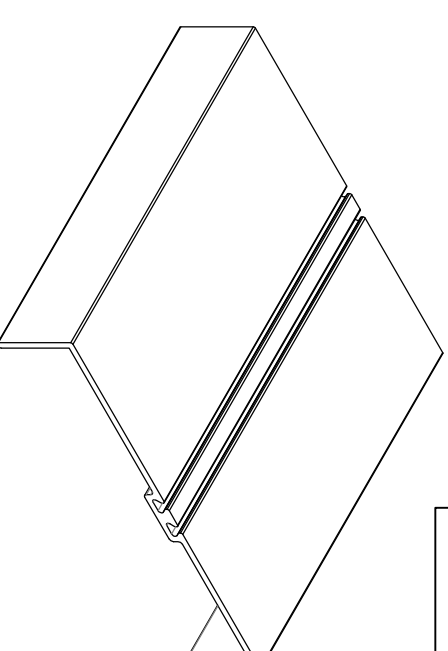
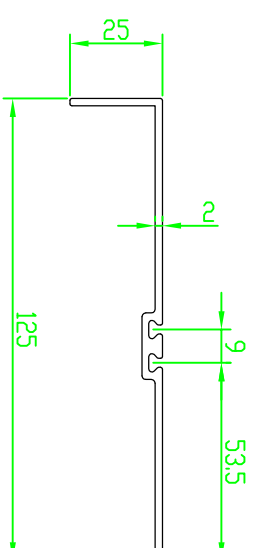


Code.	Material	L (mm)	Weight (kg)
HD-V-03	PA 6.6	20	0.004

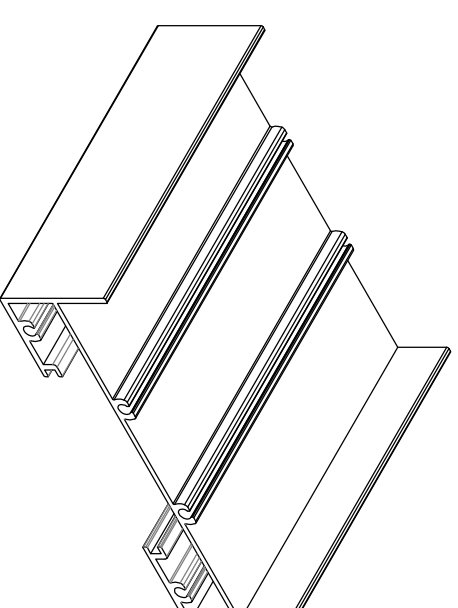
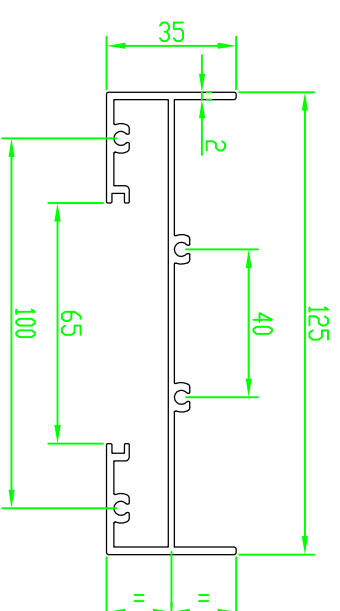


Code.	Material	L (mm)	Weight (kg)
BD-V-01	PA 6.6	20	0.002

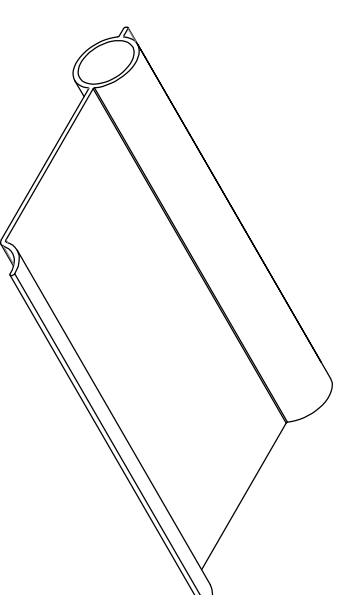
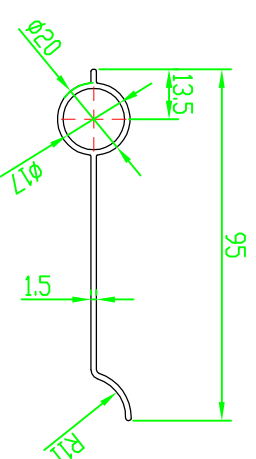
Persian	نام قطعه	پروفیل های دمپر وزنی
English	Part name	weigh damper profiles
Turkish	bolun adi	weigh damper profiles



Code.	Material	L (mm)	Weight (kg/m)
PKDA	6063	6000	1.02



Code.	Material	L (mm)	Weight (kg/m)
PBDA	6063	6000	1.45



Code.	Material	L (mm)	Weight (kg/m)
PT DV	6063	6000	0.55