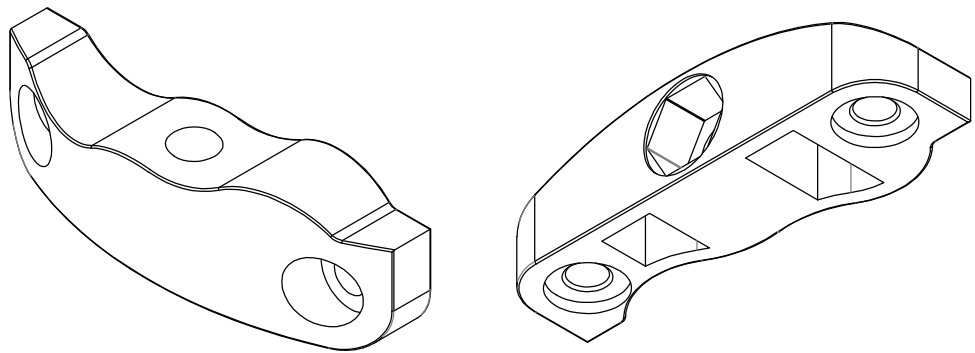
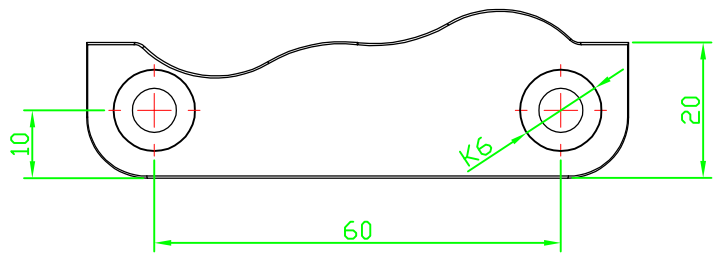
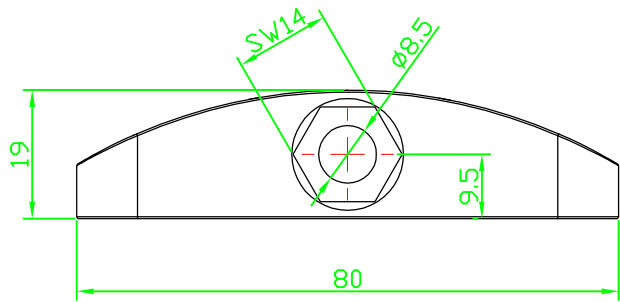


Date	Number	Form Cod



REV	DESCRIPTION					DATE	APVD	
DOCUMENTS:			Designed by	Checked by	Approved by	Edition	Date	ATLAS TEK STD: ISO
			Keshavarz	Nafisi	Keshavarz	1	95/08/01	
			ACCESSORY FRAME.CONNECTION		material	dimension	Scale	
Qty:	Weight:	Tol:	DRAWING_NUMBER:			AL-Die	MM	1:1
1	151 gr	±0.05	AH.FRAME.CONNECTION					