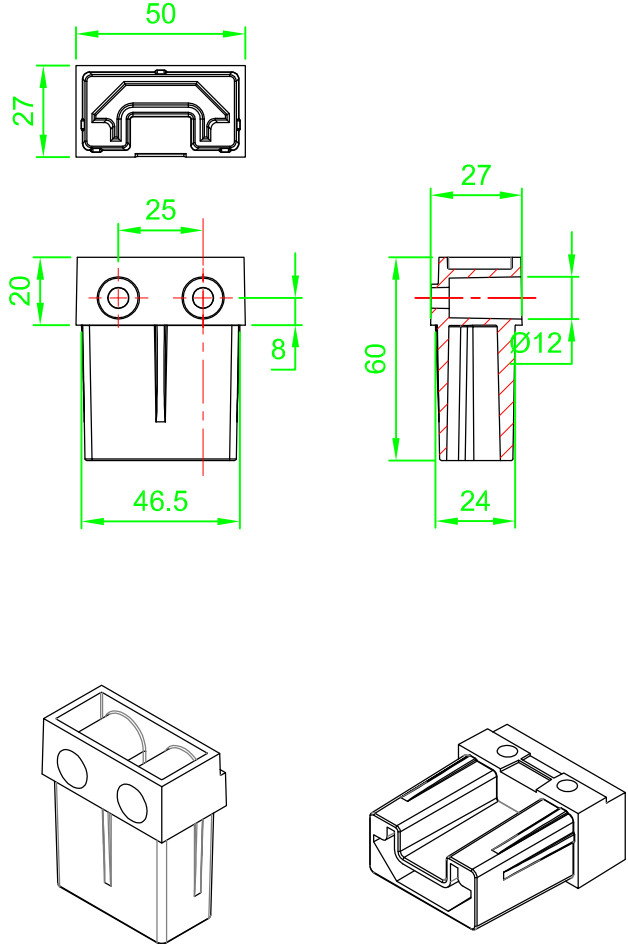


| | | |
|------|--------|----------|
| Date | Number | Form Cod |
| | | |



| | | | | | | | |
|------------|------------------------------|------------|--------------------------|-----------|-----------|----------------------------------|------|
| REV | DESCRIPTION | | | | | DATE | APVD |
| DOCUMENTS: | Designed by | Checked by | Approved by | Edition | Date | ATLAS TEK STD: ISO | |
| | Keshavarz | Nafisi | Keshavarz | 1 | 95/08/01 | | |
| | ACCESSORY | | | material | dimension | | |
| | ETTESAL.SEPARI.5CM.PA | | | PolyAmide | MM | 1:1 | |
| Qty: | Weight: | Tol: | DRAWING_NUMBER: | | | | |
| 1 | 38 gr | ±0.05 | AH.ETTESAL.SEPARI.5CM.PA | | | | |