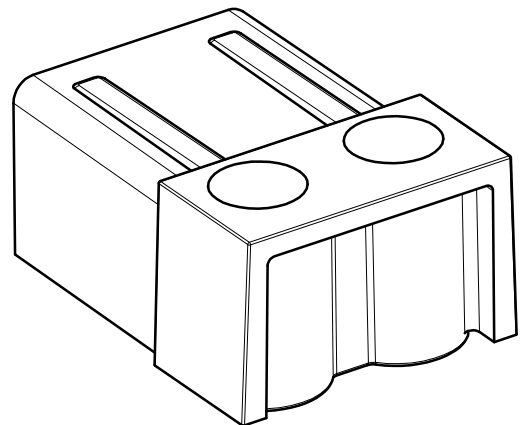
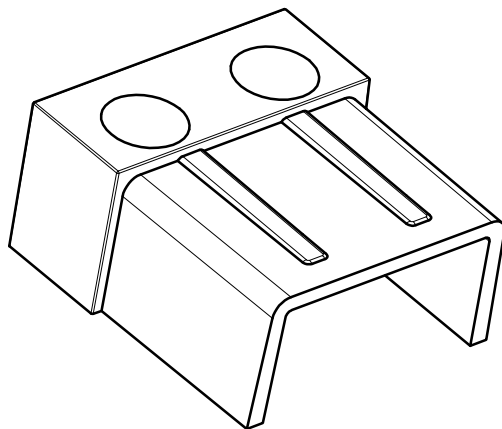
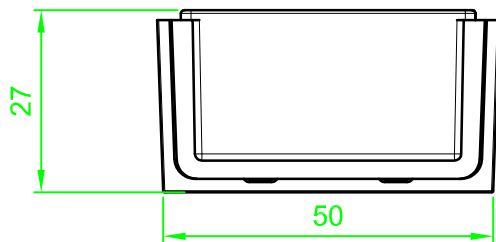
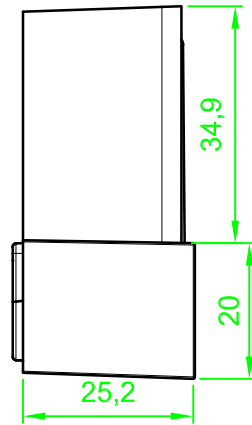
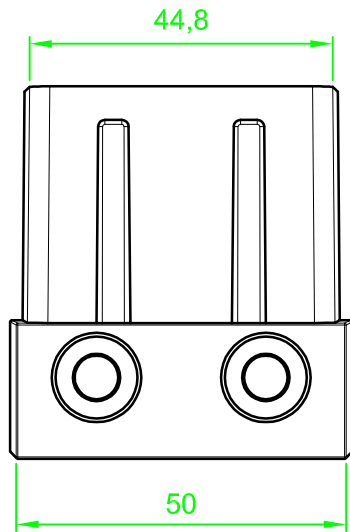



Date	Number	Form Cod



REV	DESCRIPTION					DATE	APVD
DOCUMENTS:	Designed by	Checked by	Approved by	Edition	Date	ATLAS TEK  STD: ISO	
	Keshavarz	Nafisi	Keshavarz	1	97/03/01		
	ACCESSORY			material	dimension		
	ETTESAE.SEPARI.5-AL			Alu-Die	MM	1:1	
Qty:	Weight:	Tol:	DRAWING_NUMBER:				
1	90 gr	±0.05	AH.ETTESAE.SEPARI.5-AL				