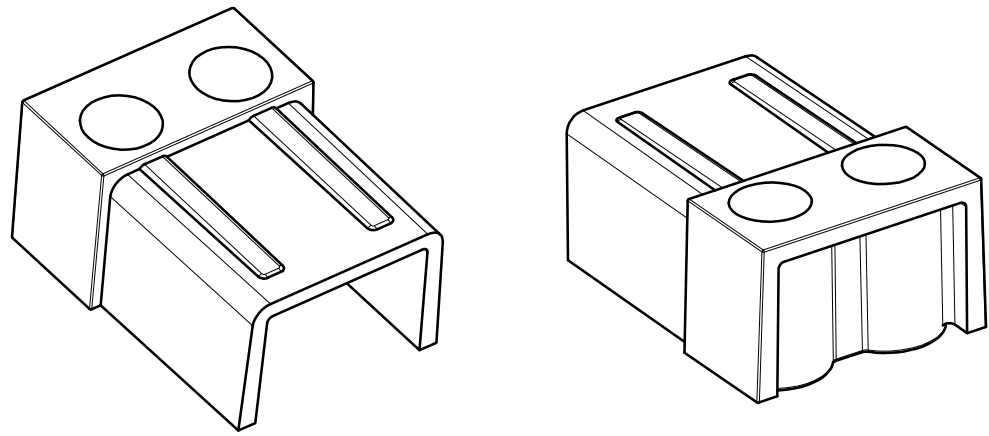
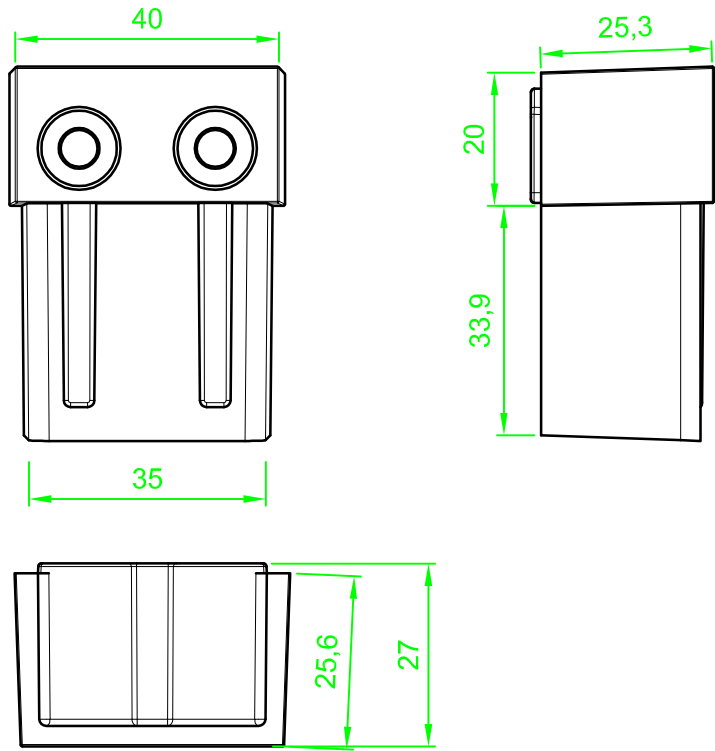


Date	Number	Form Cod



REV	DESCRIPTION					DATE	APVD
DOCUMENTS:	Designed by	Checked by	Approved by	Edition	Date	ATLAS TEK STD: ISO	
	Keshavarz	Nafisi	Keshavarz	1	97/03/01		
	ACCESSORY			material	dimension		
Qty:	Weight:	Tol:	DRAWING_NUMBER:		Alu-Die	MM	1:1
1	67 gr	±0.05	ETTESAE.SEPARI.4-AL				