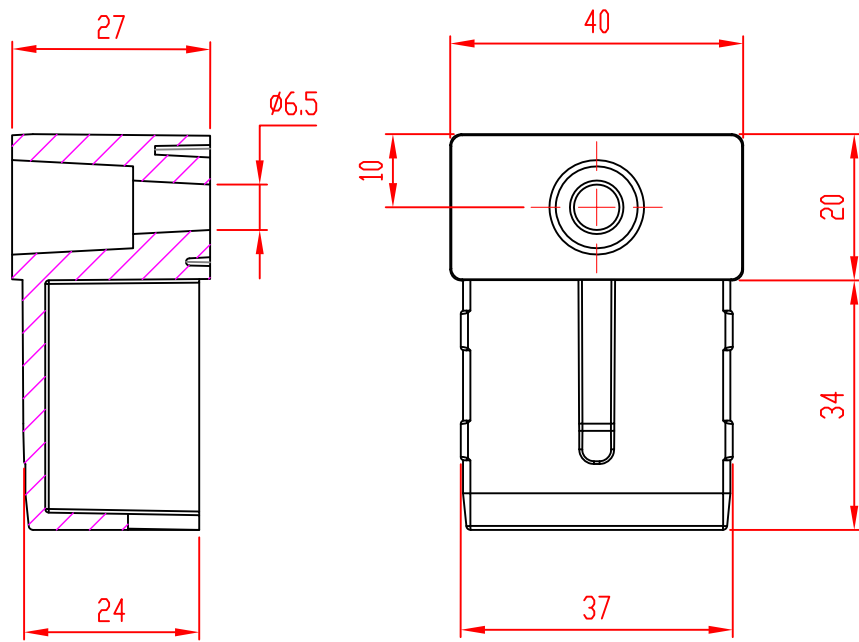
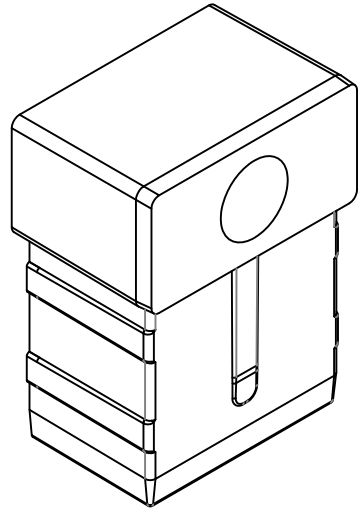


Date	Number	Form Cod



SECTION A-A



REV	DESCRIPTION					DATE	APVD	
DOCUMENTS:	Designed by	Checked by	Approved by	Edition	Date			
	Nekoonam			1	99/08/01			
	ETESAL-SEPARI 4CM-PA			material	dimension			Scale
Qty:	Weight:	Tol:	DRAWING_NUMBER:		PA-6.6	MM	1:1	STD: ISO
1	0.02 Kg	±0.1						