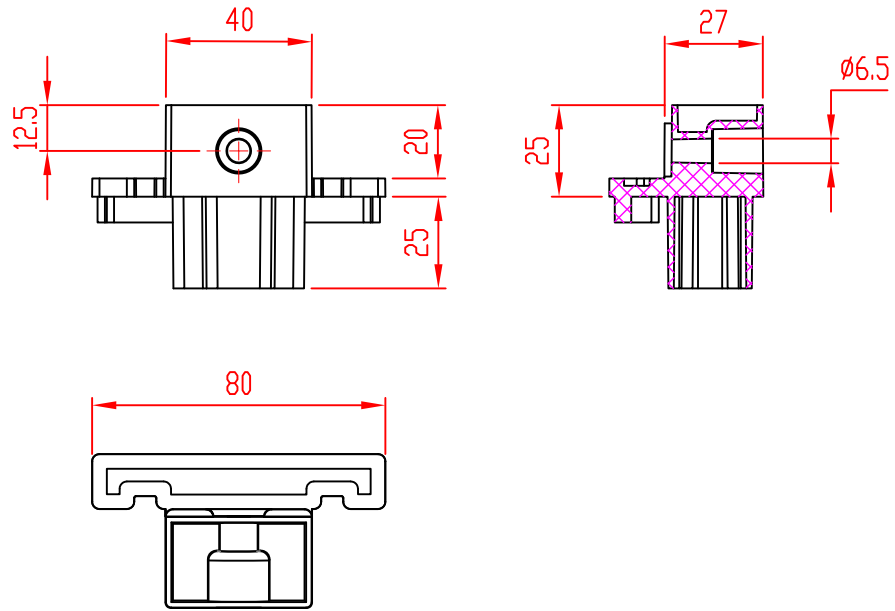




Date	Number	Form Cod



REV	DESCRIPTION					DATE	APVD
DOCUMENTS:	Designed by	Checked by	Approved by	Edition	Date	  STD: ISO	
	Nekoonam			1	99/08/01		
	<b>ETESALSEPARI PA-4CM-HYGENIK</b>			material	dimension		
Qty:	Weight:	Tol:	DRAWING_NUMBER:		PA-6.6	MM	1:2
1	0.03 Kg	±0.1					