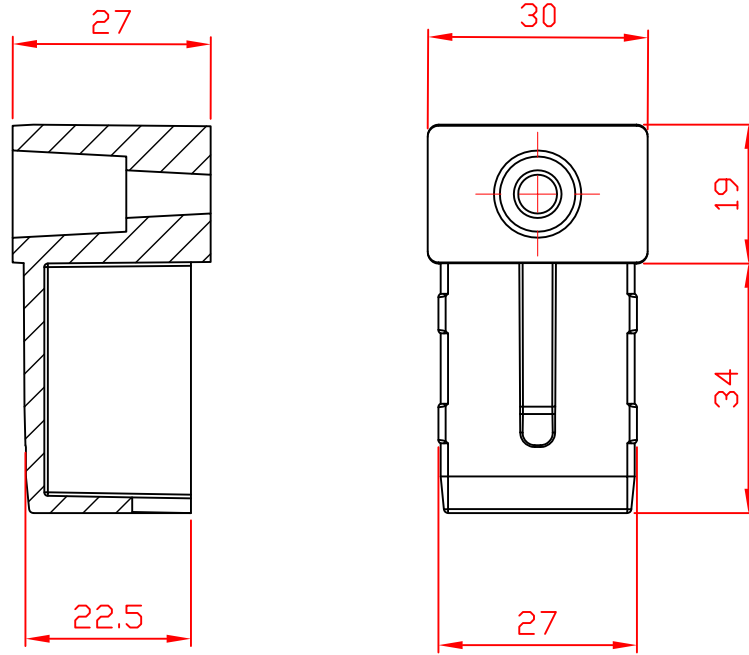
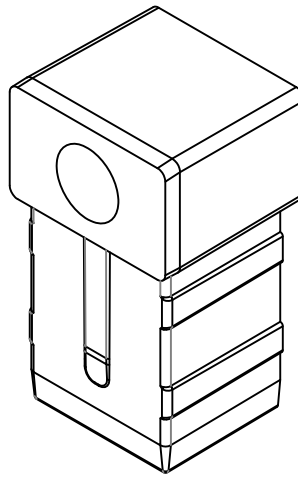


Date	Number	Form Cod



SECTION A-A  
SCALE 1 : 1



REV	DESCRIPTION					DATE	APVD
DOCUMENTS:	Designed by	Checked by	Approved by	Edition	Date	<b>ATLAS TEK</b>	
	Nekoonam			1	99/08/01		
	<b>ETESAL-SEPARI 3CM-PA</b>			material	dimension	Scale	STD: ISO
			AL 6063	MM	1:1		
Qty:	Weight:	Tol:	DRAWING_NUMBER:				
1	0.012 Kg	±0.1					