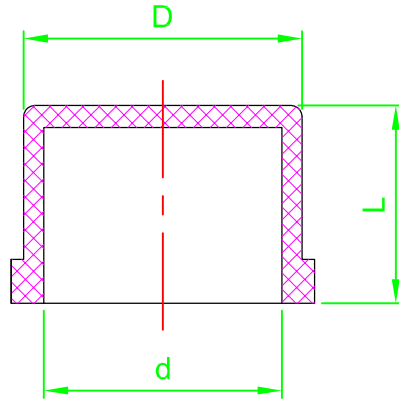
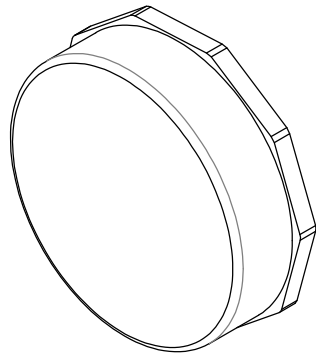


Date	Number	Form Cod



(L)	(d)	(D)	Size
27	Ø20	Ø25	1/2"
27	Ø25	Ø32	3/4"
27	Ø33	Ø38	1"
27	Ø41	Ø46	1,1/4"
27	Ø45	Ø50	1,1/2"
27	Ø57	Ø62	2"
27	Ø74	Ø78	2,1/2"
27	Ø85	Ø90	3"

DOCUMENTS:			Designed by	Checked by	Approved by	Edition	Date	ATLAS TEK
			Keshavarz	Nafisi	Keshavarz	1	95/08/01	
			ACCESSORY DARPOUSH			material	dimension	
						EPDM	MM	1:1
Qty:	Weight:	Tol:	DRAWING_NUMBER:					
1		±0.05	AH.DARPOUSH					