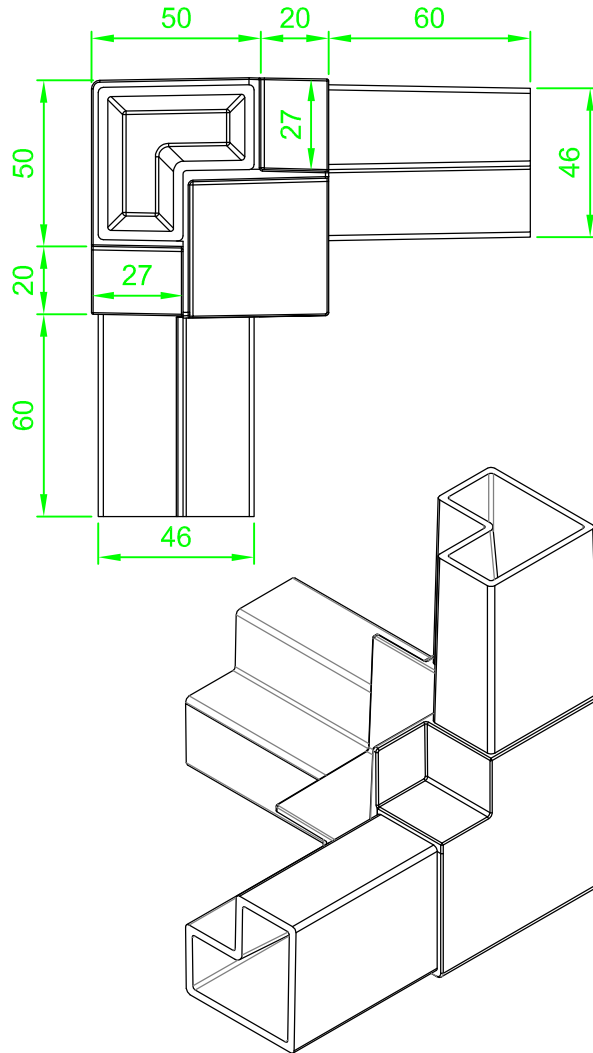


Date	Number	Form Cod



REV	DESCRIPTION					DATE	APVD		
DOCUMENTS:			Designed by	Checked by	Approved by	Edition	Date	ATLAS TEK	
			Keshavarz	Nafisi	Keshavarz	1	95/08/01		
			ACCESSORY CORNER.5CM.AL		material	dimension	Scale		
Qty:	Weight:	Tol:	DRAWING_NUMBER:			AL-Die	MM	2:1	⌀ STD: ISO
1	690 gr	±0.05	AH.CORNER.5CM.AL						