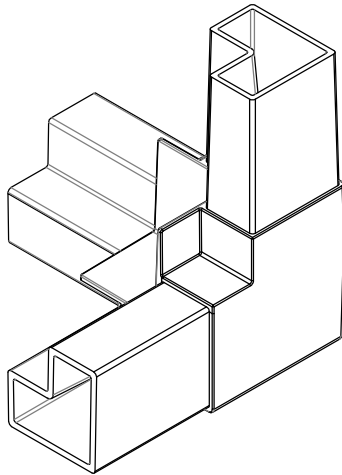
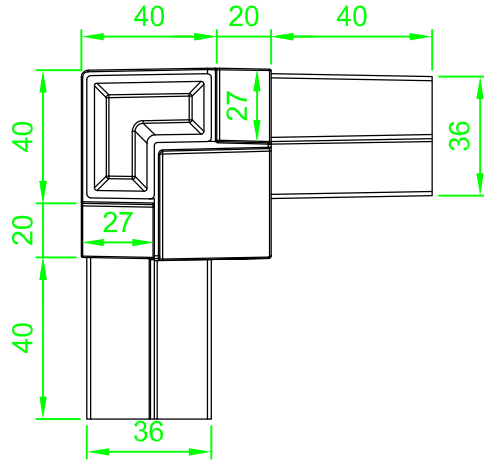



Date	Number	Form Cod



REV	DESCRIPTION					DATE	APVD
DOCUMENTS:	Designed by	Checked by	Approved by	Edition	Date	ATLAS TEK  STD: ISO	
	Keshavarz	Nafisi	Keshavarz	1	95/08/01		
	ACCESSORY CORNER.4CM.AL			material	dimension		
Qty:	Weight:	Tol:	DRAWING_NUMBER:		AL-Die	MM	2:1
1	416 gr	±0.05	AH.CORNER.4CM.AL				