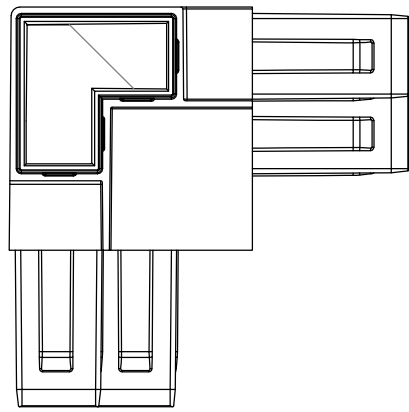
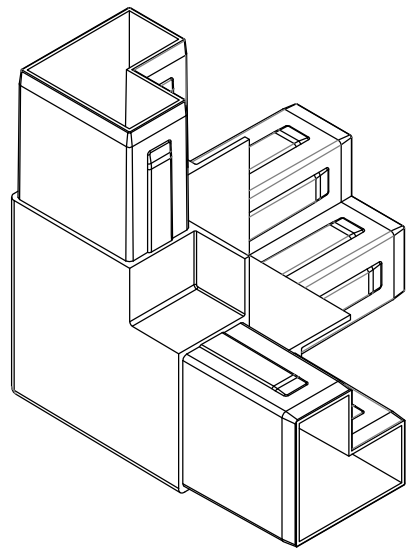
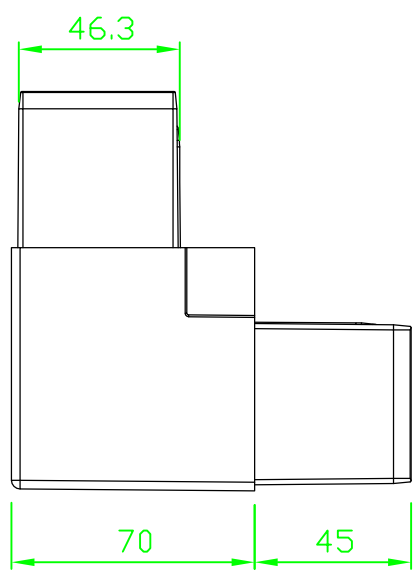
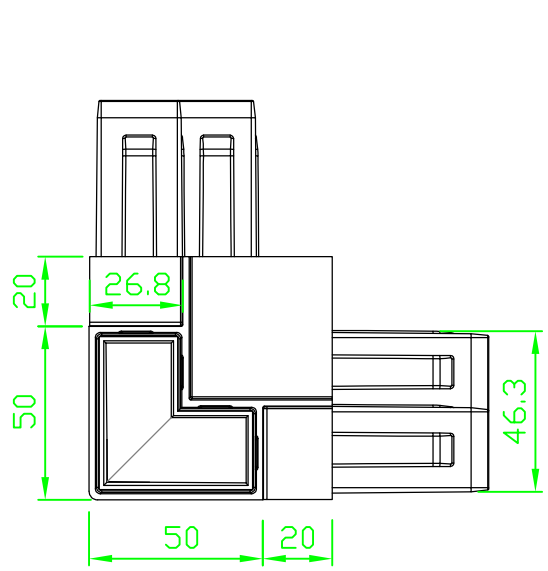


Date	Number	Form Cod



REV	DESCRIPTION					DATE	APVD
DOCUMENTS:	Designed by	Checked by	Approved by	Edition	Date	ATLAS TEK	
	Keshavarz	Nafisi	Keshavarz	1	95/08/01		
	ACCESSORY CORNER.5CM.PA.NEW			material	dimension		
				Polyamide	MM	2:1	STD: ISO
Qty:	Weight:	Tol:	DRAWING_NUMBER:				
1	210 gr	±0.05	AH.CORNER.5CM.PA.NEW				