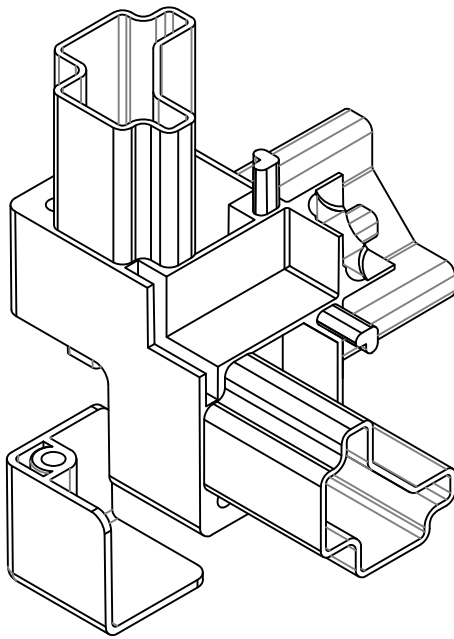
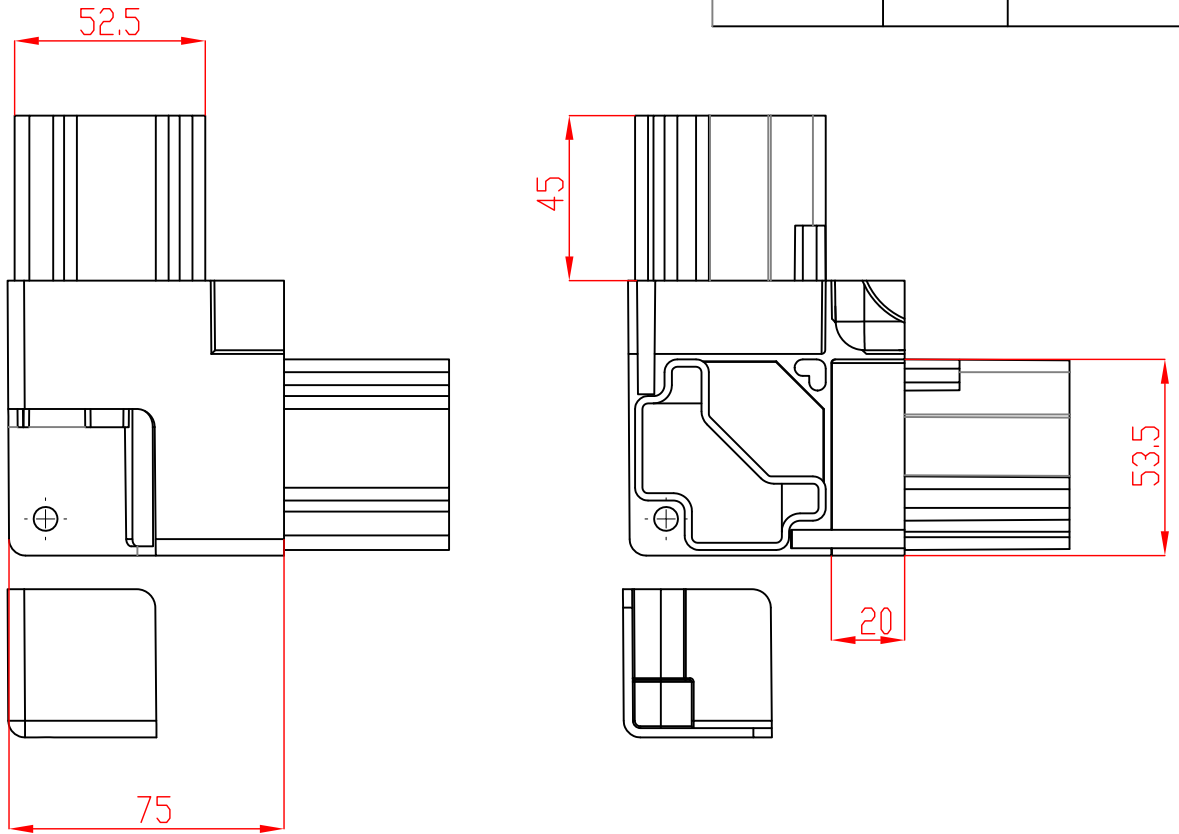




Date	Number	Form Cod



REV	DESCRIPTION					DATE	APVD
DOCUMENTS:	Designed by	Checked by	Approved by	Edition	Date		
	Nekoonam			1	99/08/01		
	<b>CORNER</b>			material	dimension		
<b>5KHAM.5.5CM-HYGENIK</b>			PA-6.6	MM	1:2	 STD: ISO	
Qty:	Weight:	Tol:	DRAWING_NUMBER:				
1	0.2 Kg	±0.1					