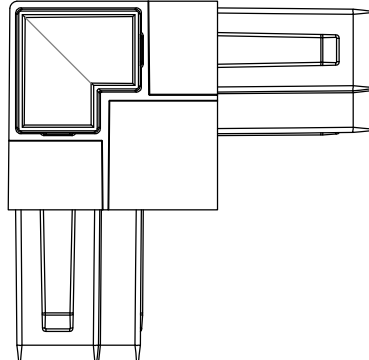
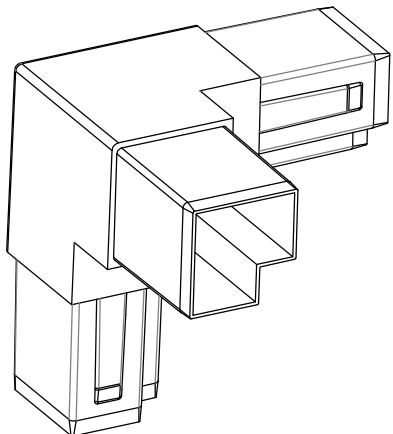
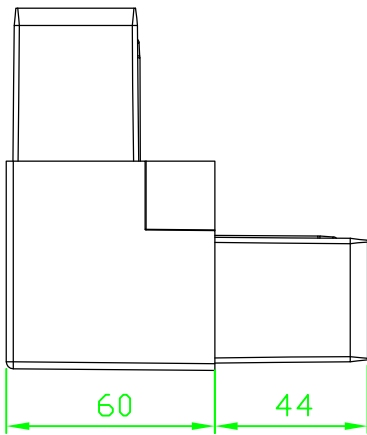
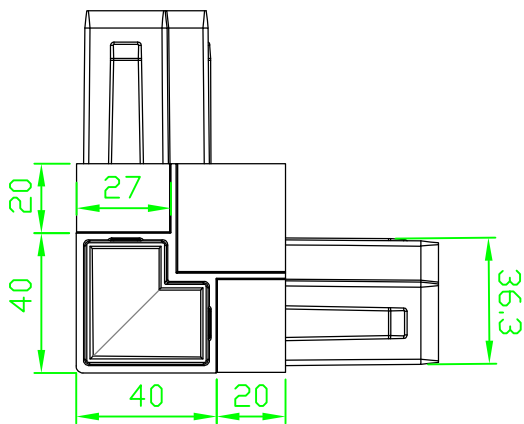
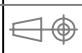


Date	Number	Form Cod



REV	DESCRIPTION					DATE	APVD
DOCUMENTS:			Designed by	Checked by	Approved by	Edition	Date
			Keshavarz	Nafisi	Keshavarz	1	95/08/01
			<b>ACCESSORY CORNER.4CM.PA.NEW</b>		material	dimension	Scale
					Polyamide	MM	2:1
Qty:	Weight:	Tol:	DRAWING_NUMBER:		 STD: ISO		
1	120 gr	±0.05	AH.CORNER.4CM.PA.NEW				

**ATLAS  
TEK**