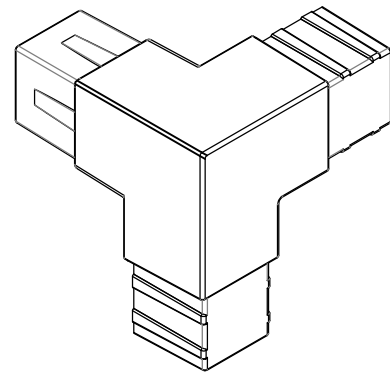
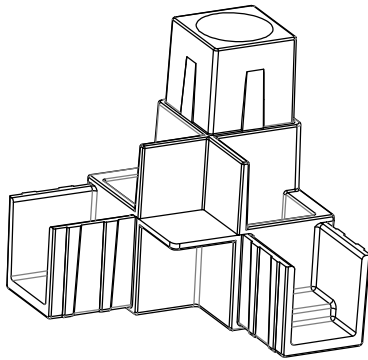
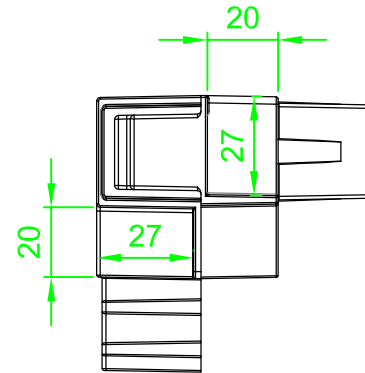
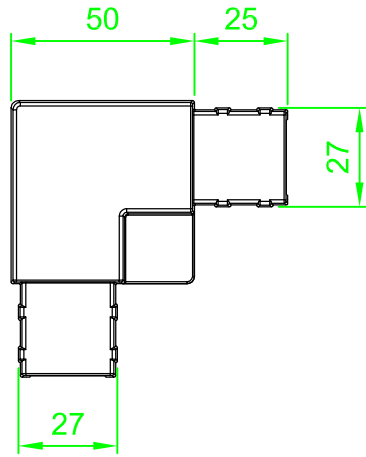


Date	Number	Form Cod



REV	DESCRIPTION					DATE	APVD
DOCUMENTS:		Designed by	Checked by	Approved by	Edition	Date	ATLAS TEK
		Keshavarz	Nafisi	Keshavarz	1	95/08/01	
		ACCESSORY CORNER.3CM.PA		material	dimension	Scale	
Qty:	Weight:	Tol:	DRAWING_NUMBER:		PolyAmid	MM	2:1
1	99 gr	±0.05	AH.CORNER.3CM.PA		STD: ISO		