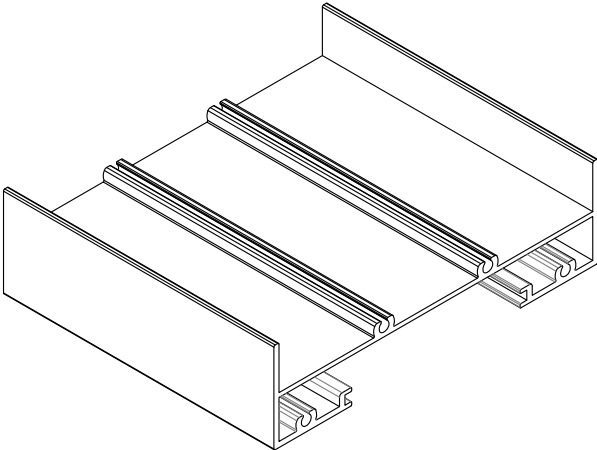
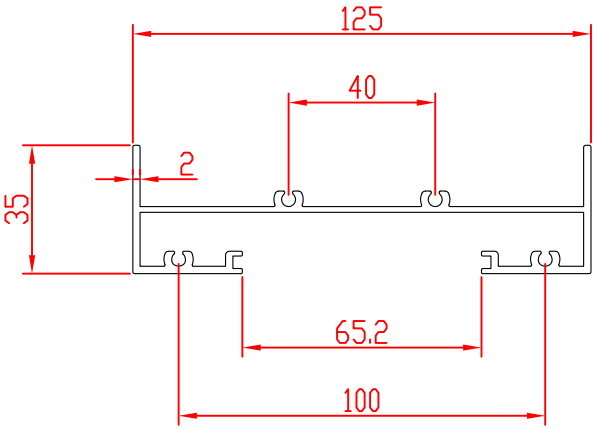




Date	Number	Form Cod



REV	DESCRIPTION					DATE	APVD
DOCUMENTS:	Designed by	Checked by	Approved by	Edition	Date		
	Nekoonam			1	95/08/01		
	<b>PROFILE DAMPER.SIDWAY</b>			material	dimension		
Qty:	Weight:	Tol:	DRAWING_NUMBER:			 STD: ISO	
1	1.45 Kg/m	±0.1	PH.DAMPER.SIDWAY				