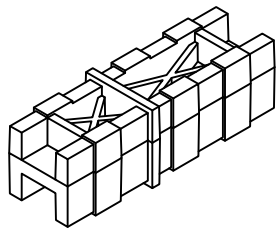
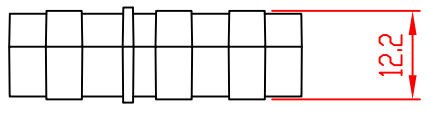
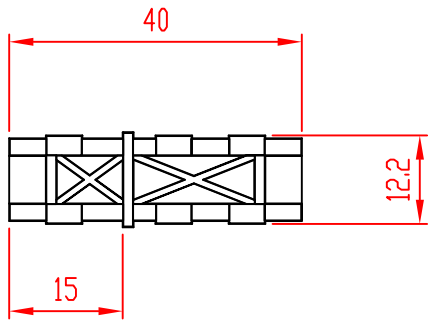
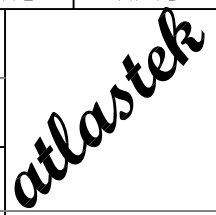



Date	Number	Form Cod



REV	DESCRIPTION					DATE	APVD
DOCUMENTS:	Designed by	Checked by	Approved by	Edition	Date		
	Nekoonam			1	99/08/01		
	PIN-PA DAMPER			material	dimension		
PA-6.6				MM	1:1	 STD: ISO	
Qty:	Weight:	Tol:	DRAWING_NUMBER:				
1	15 gr	±0.1					